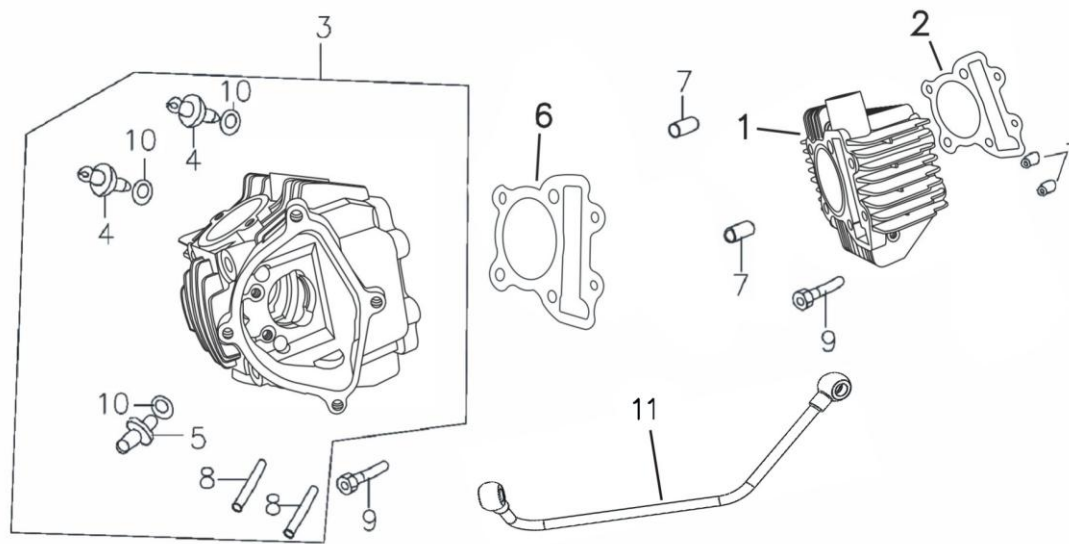


# ENGINE 1P60FMJ W160 パーツリスト

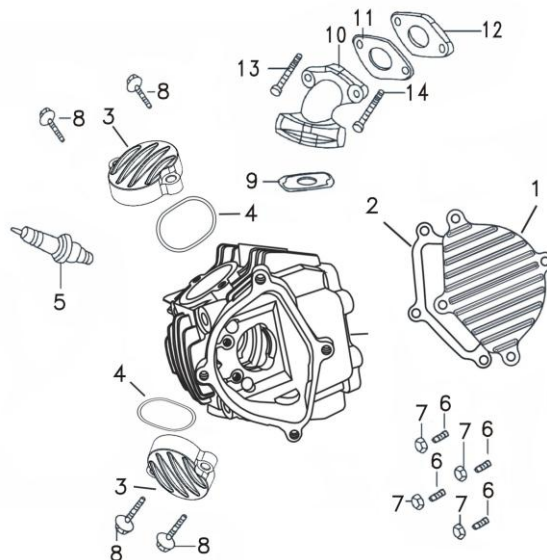
※弊社ではこの製品は取り扱っておりません。参考までにご覧ください。

|      |                                 |       |
|------|---------------------------------|-------|
| E-1  | CYLINDER ASSY                   | 2     |
| E-2  | Cylinder Head                   | 3     |
| E-3  | CAMSHAFT ASSY                   | 4     |
| E-4  | TIME CHAIN                      | 5     |
| E-5  | CRANKCASE                       | 6     |
| E-6  | CRANKSHAFT                      | 7     |
| E-7  | CRANKCASE COVER                 | 8     |
| E-8  | Left Crankcase Cover & Magnetio | 9     |
| E-9  | CLUTCH COMPONENT PART           | 10    |
| E-10 | SHIFTING MOTIVATOR              | 11-12 |
| E-11 | START ASSY                      | 13    |
| E-12 | SLOWING DOWN SUBASSEMBLY        | 14-15 |
| E-13 | PUMP ASSY<br>BALANCE WHEEL ASSY | 16    |

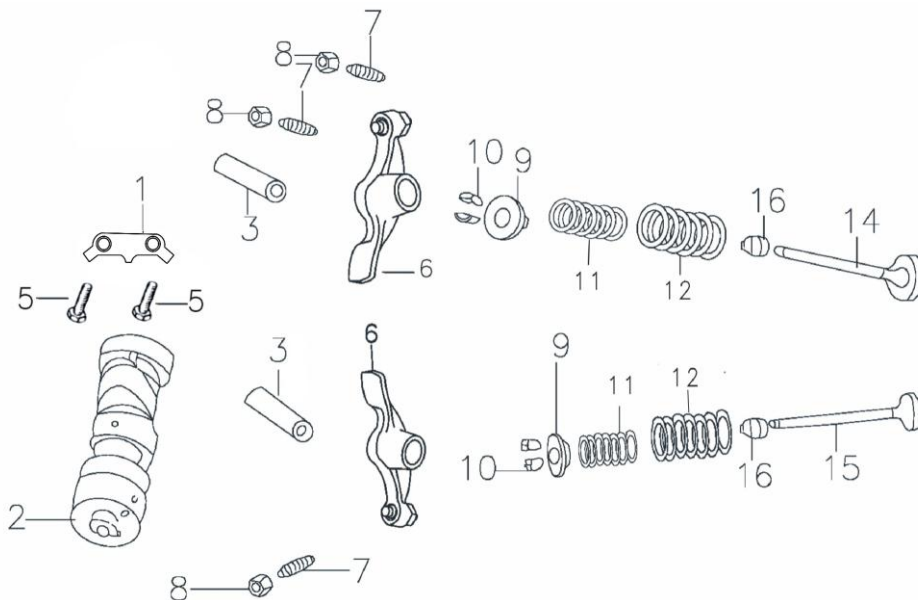
E-1 CYLINDER ASSY



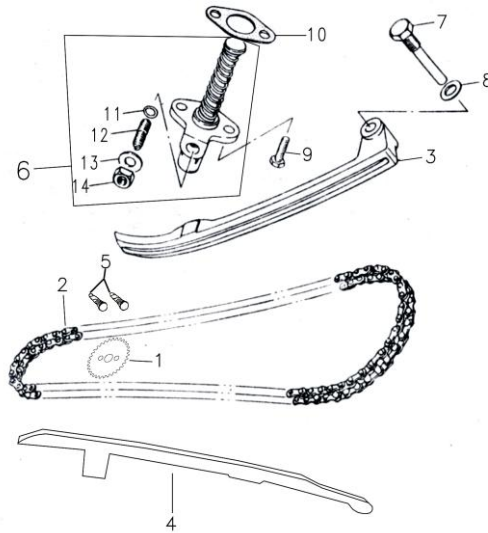
| Ref. No. | Part No. |                            | Quantity |
|----------|----------|----------------------------|----------|
| 1        | 210A038  | CYLINDER BODY              | 1        |
| 2        | 2101B010 | CYLINDER BODY SEAL PACKING | 1        |
| 3        | 210A000  | CYLINDER HEAD ASSY         | 1        |
| 4        | D00A001  | SUCTION-VALVE PIPE         | 1        |
| 5        | D00A002  | EXHAUST VALVE PIPE         | 1        |
| 6        | 210B008  | CYLINDER HEAD SEAL GASKET  | 1        |
| 7        | 97008012 | ASSEMBLING PIN 8×12        | 4        |
| 8        | GB5787   | BOLT M8×38                 | 2        |
| 9        | GB5783   | BOLT                       | 2        |
| 10       | 208-1-14 | O SHAPED SEAL RING         | 3        |
| 11       | 210E030  | OIL PIPE                   | 1        |



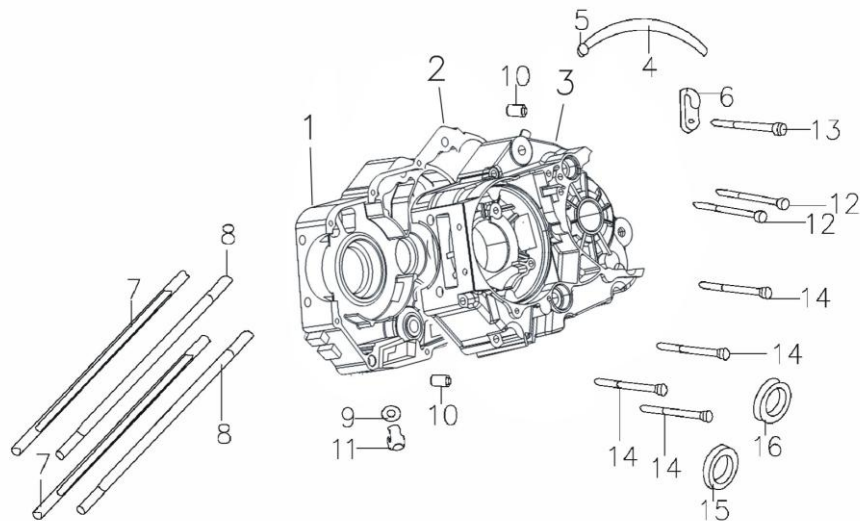
| Ref.No. | Part No. | Description                           | Quantity |
|---------|----------|---------------------------------------|----------|
| 1       | 210A033  | CYLINDER HEAD LEFT COVER              | 1        |
| 2       | 2101B006 | CYLINDER HEAD LEFT COVER SEAL PACKING | 1        |
| 3       | 210A032  | VALVA COVER                           | 2        |
| 4       | 210C074  | SEAL FOR INTAKE VALVE                 | 2        |
| 5       | D001D021 | NGK SPARKING PLUG CR7HSA              | 1        |
| 6       |          | DOUBLE -HEAD SCREW                    | 4        |
| 7       |          | NUT                                   | 4        |
| 8       | GB5787   | PLATE BOLT                            | 4        |
| 9       | 208B030  | SEAL PACKING FOR THE INTAKE           | 1        |
| 10      | L00JQ214 | INTAKE                                | 1        |
| 11      | F001B014 | SEAL PACKING                          | 1        |
| 12      | F00C039  | CARBURETOR SEAL PACKING               | 1        |
| 13      | GB5787   | PLATE BOLT                            | 1        |
| 14      | GB5787   | PLATE BOLT                            | 1        |



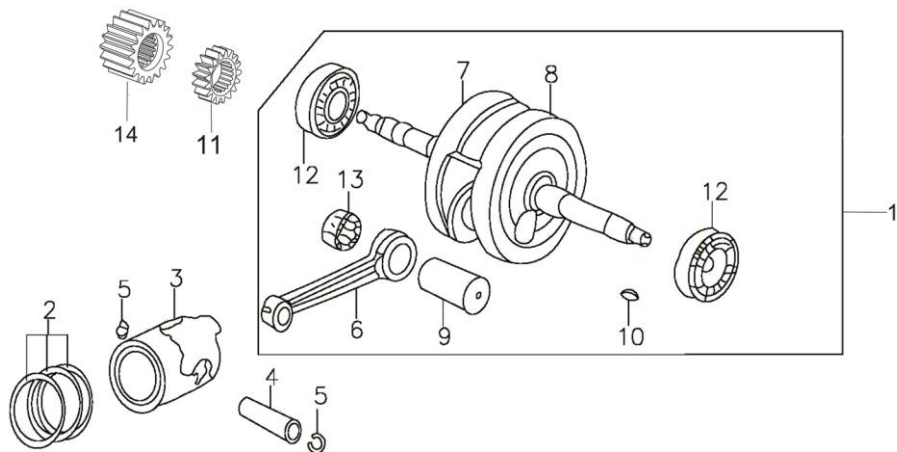
| Ref. No. | Part No. |                           | Quantity |
|----------|----------|---------------------------|----------|
| 1        | 210L050  | ROCKERARM SHAFT FENDER    | 1        |
| 2        | 210F020  | CAMSHAFT SUBASSEMBLY      | 1        |
| 3        | 210F015  | ROCKERARM SHAFT           | 2        |
| 5        | GB5783   | BOLT                      | 2        |
| 6        | 210F000  | ROCKER ARM, VALVE         | 2        |
| 7        | A00F001  | AIR VALVE ADJUSTING SCREW | 2        |
| 8        | A00F002  | AIR VALVE ADJUSTINF NUT   | 2        |
| 9        | F03F034  | UP SPRING SEAT            | 2        |
| 10       | F03F033  | AIR VALVE LOCKER          | 2        |
| 11       | 210H004  | INNER SPRING, VALVE       | 2        |
| 12       | 210H003  | OUTER SPRING, VALVE       | 2        |
| 14       | 210F045  | INDUCTION VALVE           | 1        |
| 15       | 210F039  | EXHAUST VALVE             | 1        |
| 16       | F00C043  | VALVE STEM SEAL           | 2        |



| Ref.No. | Part No.  | Description            | Quantity |
|---------|-----------|------------------------|----------|
| 1       | 210F011   | TIMING DRIVEN SPROCKET | 1        |
| 2       | 210F012   | TIMING CHAIN           | 1        |
| 3       | 210C006   | TENSION PLATE          | 1        |
| 4       | 210C007   | GUIDE                  | 1        |
| 5       | 578305012 | BOLT M5×12             | 2        |
| 6       | 210F014   | CHAIN TENSIONER ASSY   | 1        |
| 7       | 210L010   | BOLT,TENSION PLATE     | 1        |
| 8       |           | WASHER 8               | 1        |
| 9       |           | BOLT M6×20             | 2        |
| 10      | 2101B004  | GASKET,TENSIONER       | 1        |
| 11      |           | O-RING                 | 1        |
| 12      |           | BOLT,ADJUST            | 1        |
| 13      |           | WASHER 8               | 1        |
| 14      |           | Nut M8                 | 1        |

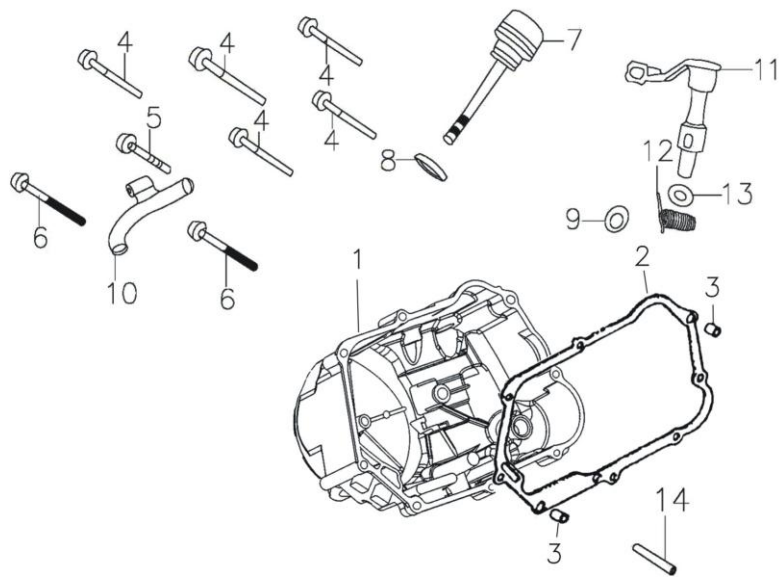


| Ref.No. | Part No.   | Description                | Quantity |
|---------|------------|----------------------------|----------|
| 1       | 210A020    | RIGHT CRANKCASE BODY       | 1        |
| 2       | 2101B005   | CRANKCASE SEALED PACKING   | 1        |
| 3       | 210A010    | LEFT CRANKCASE BOGY        | 1        |
| 4       | F00C024    | BREATHING PIPE             | 1        |
| 5       | D00L014    | OVERFLOW PIPE CLIP         | 1        |
| 6       | D00L039BCR | PIPE CLAMPING              | 1        |
| 7       | F08M001    | CYLINDER TRAPPED STUD(A)   | 2        |
| 8       | F03M002    | CYLINDER TRAPPED STUD (B)  | 2        |
| 9       | D00L021    | WASHER                     | 1        |
| 10      | 97010014   | ASTSEMBLING PIN            | 2        |
| 11      | D00E026BX  | DISCHARGING OIL PLUG SCREW | 1        |
| 12      | GB5787     | BOLT                       | 2        |
| 13      | GB5787     | BOLT                       | 1        |
| 14      | GB5787     | BOLT                       | 4        |
| 15      | D001C008   | WASHER                     | 1        |
| 16      | D00C026    | WASHER                     | 1        |



| Ref. No. | Part No. | Description            | Quantity |
|----------|----------|------------------------|----------|
| 1        | 210J000  | CRANK CONNECTING ROD   | 1        |
| 2        | 210J013  | PISTON RING SET        | 1        |
| 3        | 210J014  | PISTON                 | 1        |
| 4        | 210J012  | PISTON PIN             | 1        |
| 5        | D00J011  | PISTON PIN SHIELD RING | 2        |
| 6        | 210J025  | CONNECTING ROD LEVEL   | 1        |
| 7        | 210J005  | RIGHT-HAND CRANKSHAFT  | 1        |
| 8        | 210J006  | LEFT-HAND CRANK SHAFT  | 1        |
| 9        | 208J007  | CRANK PIN              | 1        |
| 10       | 208J001  | SEMICIRCULAR KEY       | 1        |
| 11       | E13E023  | OIL PUMP DRIVER GEAR   | 1        |
| 12       | 63/22    | BEARING                | 2        |
| 13       | 210J008  | BEARING                | 1        |
| 14       | D04K015  | PRIMARY DRIVER GEAR    | 1        |

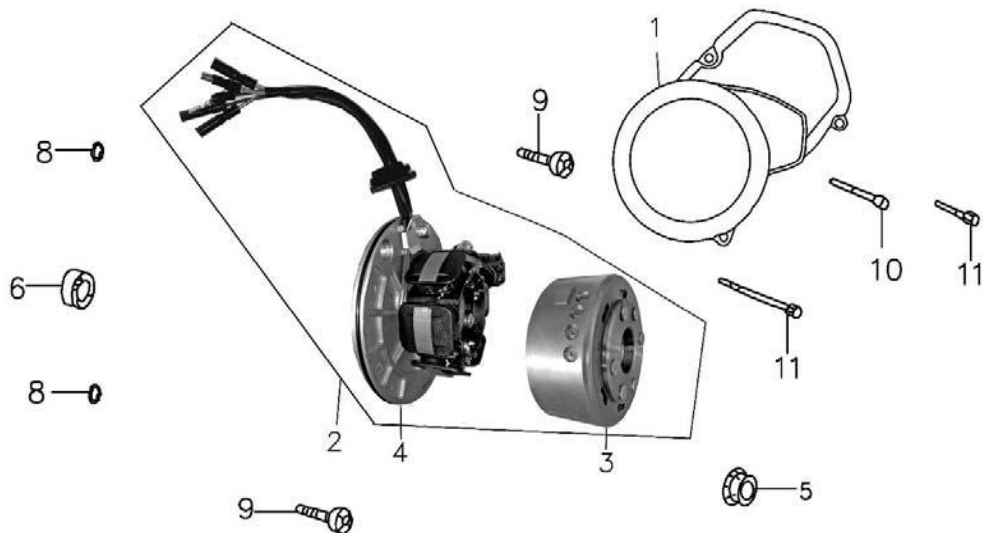
E-7 CRANKCASE COVER



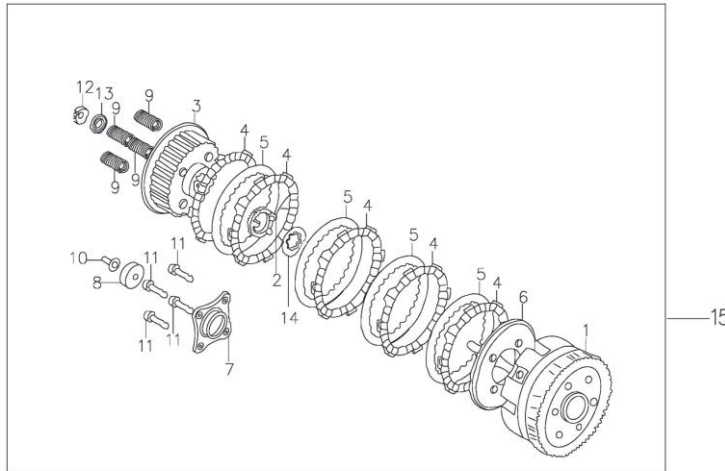
| Ref. No. | Part No.   | Description                 | Quantity |
|----------|------------|-----------------------------|----------|
| 1        | 210A034    | RIGHT CRANKCASE COVER       | 1        |
| 2        | 2101B002   | RIGHT CRANKCASE SEALED      | 1        |
| 3        | 97108012   | PITCHED PIN                 | 2        |
| 4        | GB5787     | BOLT                        | 5        |
| 5        | GB5787     | BOLT                        | 1        |
| 6        | GB5787     | BOLT                        | 2        |
| 7        | D00C038    | OIL SCALE ASSEMBLY          | 1        |
| 8        | D00C060    | O-SHAPED SEALED RING        | 1        |
| 9        | D00C016    | OIL SEAL                    | 1        |
| 10       | E13L031    | CLUTCH CABLE CLIP           | 1        |
| 11       | E13G010BCR | CLUTCH CONTROL LEVER        | 1        |
| 12       | E13H007    | CONTROL LEVER RETURN SPRING | 1        |
| 13       | F04C030    | OIL SEAL                    | 1        |
| 14       | 208-7-14   | OIL PIPE                    | 1        |



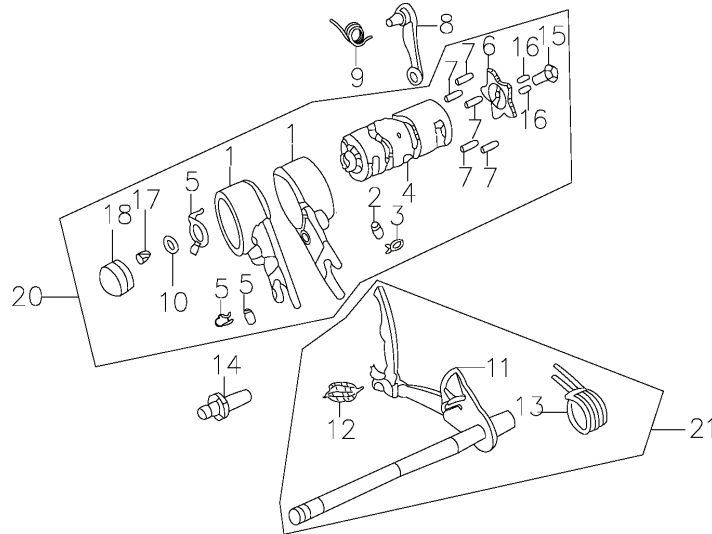
E-8 Left Crankcase Cover & Magneto



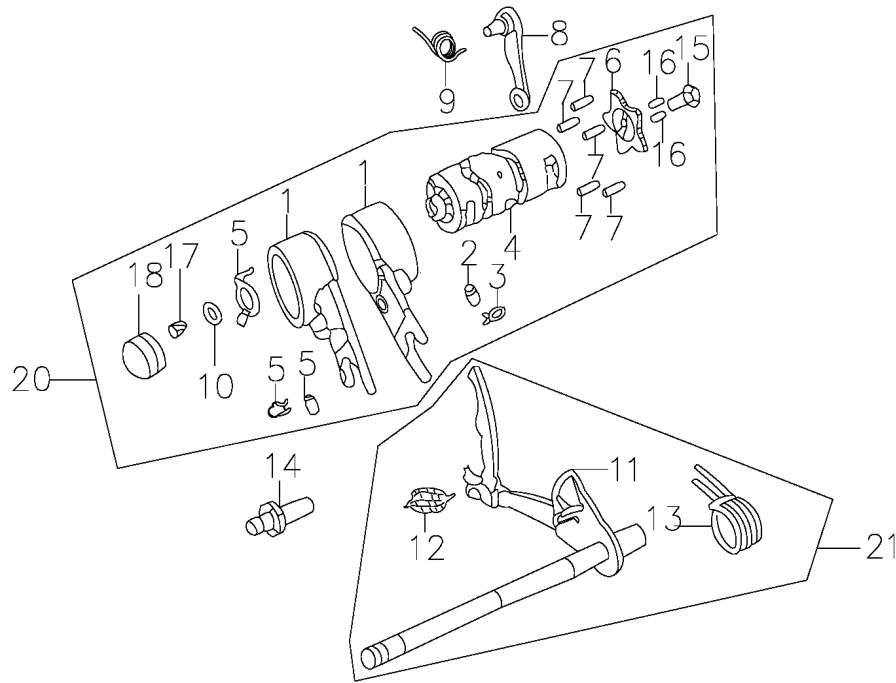
| Ref. No. | Part No.       | Description          | Quantity |
|----------|----------------|----------------------|----------|
| 1        | A019A070       | LEFT CRANKCASE COVER | 1        |
| 2        | 208D050        | MAGNETON             | 1        |
| 3        | 208D060        | FLYWHEEL             | 1        |
| 4        | 208D070        | STATOR MODULE        | 1        |
| 5        | 617710000BCR-1 | HEX NUT              | 1        |
| 6        | D00C028        | OILE SEAL            | 1        |
| 7        | D001C062       | O-SHAPED SEAL        | 1        |
| 8        | F002C048       | O-SHAPED SEAL        | 1        |
| 9        | GB818          | BOLT                 | 2        |
| 10       | GB5787         | BOLT                 | 1        |
| 11       | GB5787         | BOLT                 | 2        |



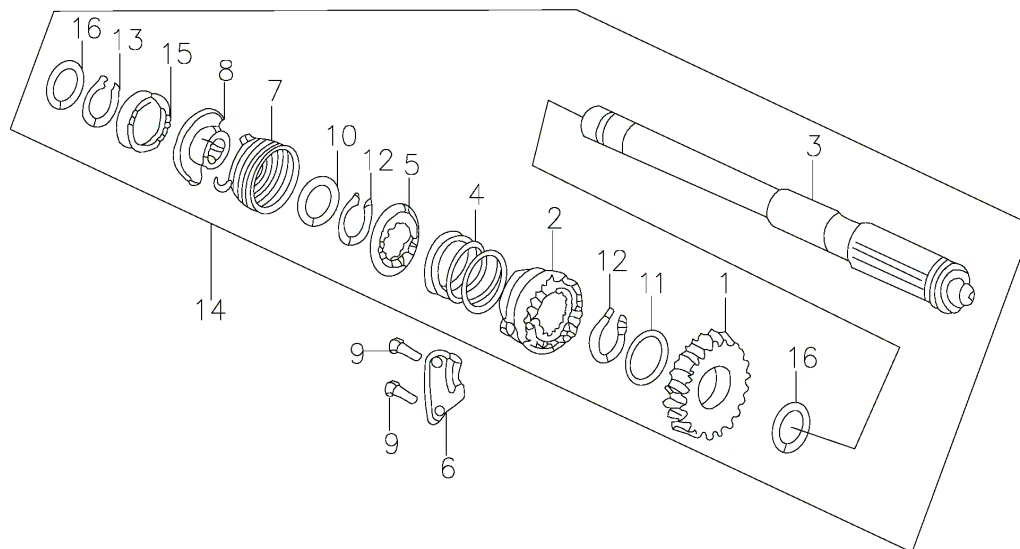
| Ref. No. | Part No. | Description            | Quantity |
|----------|----------|------------------------|----------|
| 1        | 208-9-1  | CLUTCH EXTERNAL ASSY   | 1        |
| 2        | 208-9-2  | HOLDING RING           | 1        |
| 3        | 208-9-3  | CENTRE OF CLUTCH COVER | 1        |
| 4        | 208-9-4  | CLUTCH FRICTION DISK   | 5        |
| 5        | 208-9-5  | CLUTCH BOARD           | 4        |
| 6        | 208-9-6  | CLUTCH PRESSURE PLATE  | 1        |
| 7        | 208-9-7  | CLUTCH LIFT SLAB       | 1        |
| 8        | 208-9-8  | BEARING                | 1        |
| 9        | 208-9-9  | CLUTCH SPRING          | 4        |
| 10       | 208-9-10 | CLUTCH PUSH ROD        | 1        |
| 11       | 208-9-11 | BOLT                   | 4        |
| 12       | 208-9-12 | ROUND NUT              | 1        |
| 13       | 208-9-13 | DISK SHAPED WASHER     | 1        |
| 14       | 208-9-14 | SPLINE SHAFT WASHER    | 1        |
| 15       | 206G000  | CLUTCH ASSEMBLY        | 1        |



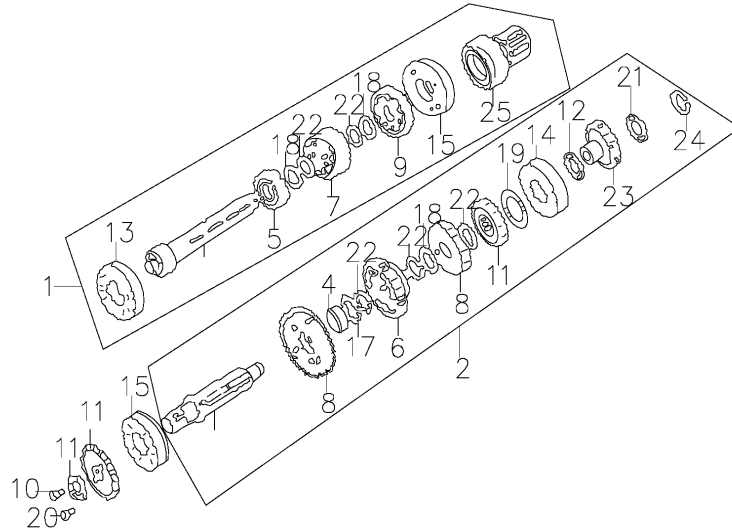
| Ref.No. | Part No.  | Description                            | Quantiy |
|---------|-----------|--|---------|
| 1       | 208-10-1  | GEAR SHIFT FORK                        | 2       |
| 2       | 208-10-2  | GUIDE PIN                              | 1       |
| 3       | 208-10-3  | SPRING CLIP                            | 1       |
| 4       | 210K066   | SHIFTING DRUM                          | 1       |
| 5       | A00D010   | NEUTRAL GEAR SWITCH CONTACT            | 1       |
| 6       | A00K023   | SPEED VARIATOR STRONGBACSTRONGBACK PIN | 1       |
| 7       | 208-10-7  | STRONGBACK PIN BOLT                    | 5       |
| 8       | 2101K070  | SPEED VARIATOR STRONGBACK SUBASSEMBLY  | 1       |
| 9       | D00H009   | STRONGBACK SPRING                      | 1       |
| 10      | A00K062   | WASHER                                 | 1       |
| 11      | 208-10-11 | SHIFTING SUBASSEMBLY                   | 1       |
| 12      | 208-10-12 | SPRING                                 | 1       |
| 13      | 208-10-13 | RETURN SPRING                          | 1       |
| 14      | D00K024   | ASSEMBLING SPING                       | 1       |
| 15      | GB5787    | BOLT WITH SALVER                       | 1       |
| 16      | 208-10-16 | ASSEMBLING PIN                         | 2       |



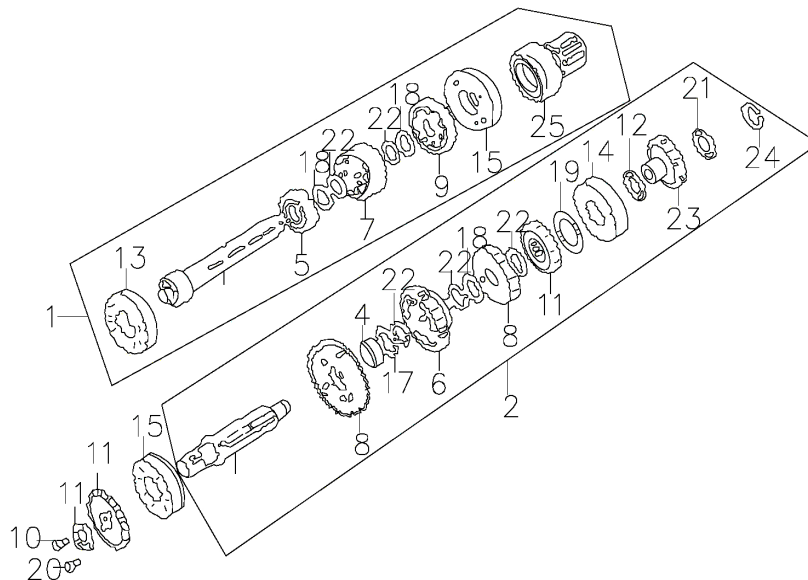
| Ref. No. | Part No.  | Description                | Quantity |
|----------|-----------|----------------------------|----------|
| 17       | A00L033   | SWITCH PRESSBOARD          | 1        |
| 18       | A00K082   | MOVING CONTACT SUBASSEMBLY | 1        |
| 19       | 208-10-19 | SOCKET HEAD CAP SCREW      | 1        |
| 20       | 210K060   | SHIFTING YOKE VARIATOR     | 1        |
| 21       | C03K000   | SHIFTING SUBASSEMBLY       | 1        |



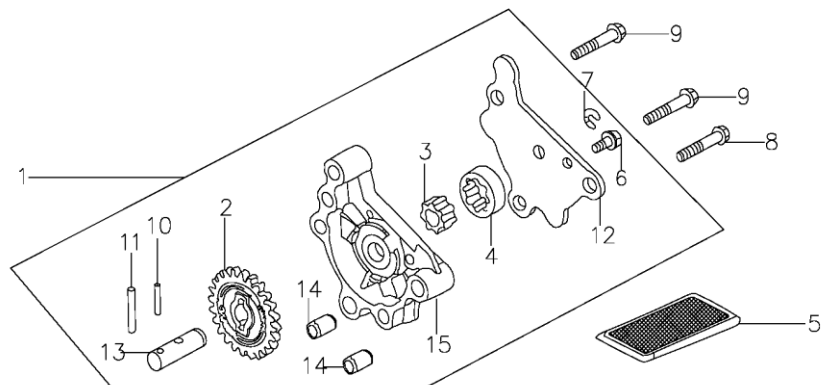
| Ref. No. | Part No.  | Description                      | Quantity |
|----------|-----------|----------------------------------|----------|
| 1        | 208K025   | START GEAR                       | 1        |
| 2        | 208-11-2  | STARTING RATCHET WHEEL           | 1        |
| 3        | 208-11-3  | STARTING SHAFT                   | 1        |
| 4        | 208-11-4  | SPRING                           | 1        |
| 5        | 208-11-5  | RATCHET WHEEL SPRINGS SUPPORTING | 1        |
| 6        | 208-11-6  | RATCHET WHEEL GUIDE RUNNER       | 1        |
| 7        | 208-11-7  | STARTING SHAFT RETURN SPRING     | 1        |
| 8        | 208-11-8  | STARTING SHAFT SPRING SUPPORTING | 1        |
| 9        | GB5783    | BOLT                             | 2        |
| 10       | 208-11-10 | WASHER                           | 1        |
| 11       | 208-11-11 | WASHER                           | 2        |
| 12       | 208-11-12 | WASHER                           | 3        |
| 13       | 208-11-13 | SHIELD RING                      | 1        |
| 14       | 2081000   | STARTING SHAFT ASSEMBLY          | 1        |
| 15       | 208-11-15 | SPRING COVER                     | 1        |
| 16       | 208-11-16 | WASHER                           | 2        |



| Ref.No. | Part No.  | Description                  | Quantity |
|---------|-----------|------------------------------|----------|
| 1       | E13K030   | TRANSMISSION MMAIN SHAFT     | 1        |
| 2       | E13K040   | TRANSMISSION COUNTENSHAFT    | 1        |
| 3       | 208-12-3  | GEAR WHEEL                   | 1        |
| 4       | 208-12-4  | GEARED SLEEVE                | 1        |
| 5       | 208-12-5  | GEAR WHEEL                   | 1        |
| 6       | 208-12-6  | SPLINE SHAFT DRIVER GEAR     | 1        |
| 7       | 208-12-7  | SPLINE SHAFT MAIN DRIVEN GEA | 1        |
| 8       | 208-12-8  | GEAR WHEEL                   | 1        |
| 9       | 208-12-9  | GEAR WHEEL                   | 1        |
| 10      | 208-12-10 | SPLINE SHAFT GEAR WHEEL      | 1        |
| 11      | A001K014  | DRIVE SPROCKET               | 1        |
| 12      | 208-12-12 | SRIVE SPROCKET CLOSING RING  | 1        |
| 13      | 27666001  | BEARING                      | 1        |
| 14      | 2766202X3 | BEARING                      | 1        |
| 15      | 2766303X3 | BEARING                      | 1        |
| 15      | 27666203  | BEARING                      | 1        |
| 16      | 208-12-16 | THRUST WASHER                | 1        |



| Ref. No. | Part No.  | Description         | Quantity |
|----------|-----------|---------------------|----------|
| 17       | 208-12-17 | SPLINE SHAFT WASHER | 1        |
| 18       | 208-12-18 | SPLING SHAFT WASHER | 3        |
| 19       | 208-12-19 | SPLING SHAFT WASHER | 2        |
| 20       | 208-12-20 | BOLT                | 2        |
| 21       | 208-12-21 | SPLING SHAFT WASHER | 1        |
| 22       | 208-12-22 | SHIELD RING         | 5        |
| 23       | 208-12-23 | STAR ROLLING GEAR   | 1        |
| 24       | 208-12-24 | SHIELD RING         | 1        |
| 25       | 208-12-25 | CLITCH GEAR SLEEVE  | 1        |
|          |           |                     |          |



| Ref.No. | Part No. | Description            | Quantity |
|---------|----------|------------------------|----------|
| 1       | 210E000  | OIL PUMP COMPONENTS    | 1        |
| 2       |          | OIL PUMP DRIVER GEAR   | 1        |
| 3       |          | OIL PUMP INNER ROTOR   | 1        |
| 4       |          | OIL PUMP OUTER ROTOR   | 1        |
| 5       | D00C037  | OIL FILTER SUBASSEMBLY | 1        |
| 6       |          | PLATE BOLT             | 1        |
| 7       |          | SHIELD RING            | 1        |
| 8       | GB5783   | BOLT WITH SALVER       | 1        |
| 9       | GB5783   | BOLT WITH SALVER       | 2        |
| 10      |          | PIN BEARING            | 1        |
| 11      |          | PIN BEARING            | 1        |
| 12      |          | OIL PUMP COVER         | 1        |
| 13      |          | OIL PUMP AXIS          | 1        |
| 14      |          | ASSEMBLING PIN         | 2        |
| 15      |          | OIL PUMP BODY          | 1        |