

# 名称:W125发动机零部件目录及图册

## Doc.Title :PARTS-BREAKDOWN CATALOGUE FOR W125 ENGING

发动机名称:W125  
 Doc.no(Model code):W125  
 公司名称:宗申  
 Brand Name :ZONGSHEN

Revision Number:  
 Date of Release:11.30.2009  
 Page :1 of 16

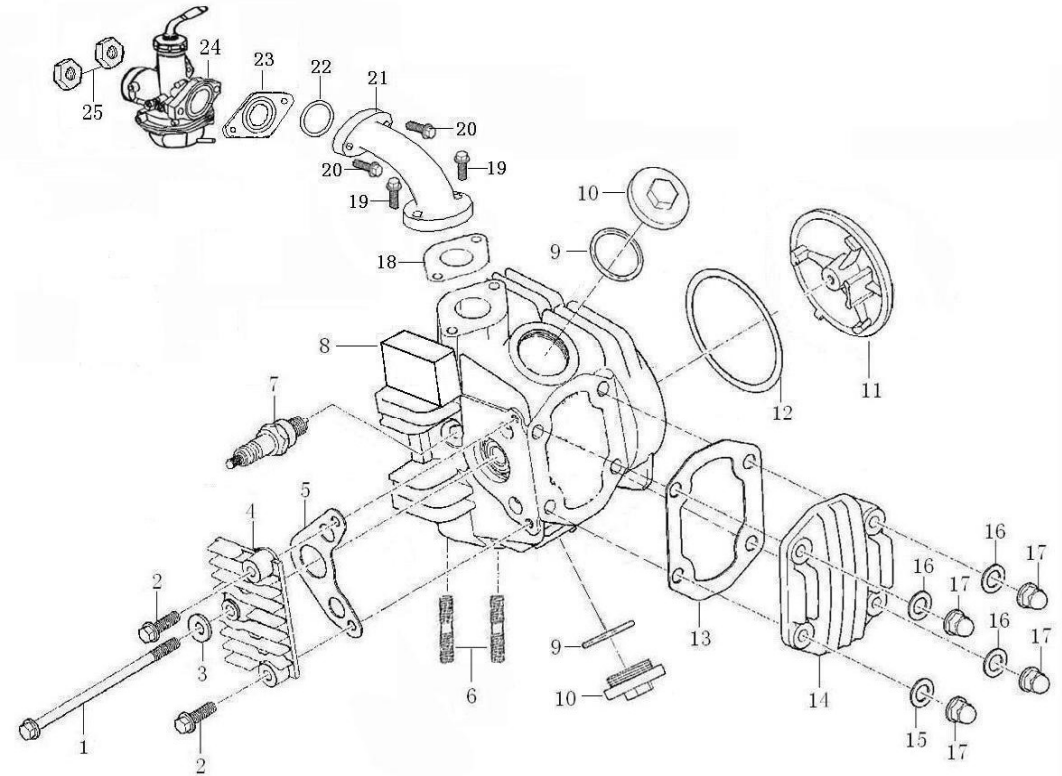
メーカー	Zongshen power
製品ID	5695
メーカー型式	W125-G
生産国	中国製

PAGE	中文名称	ENGLISH DESCRIPTION
2	气缸头部件	CYLINDER HEAD ASSY
3	气缸体部件	CYLINDER BLOCK ASSEMBLY
4	配气机构	VALVE MECHANISM
5	右曲轴箱盖	RIGHT CRANKCASE COVER
6	左曲轴箱盖	LEFT CRANKCASE COVER
7	机油散热器组合	OIL COOLER COMP
8	离合器总成	CLUTCH ASSY
9	机油泵部件	OIL PUMP
10	左曲轴箱	LEFT CRANKCASE
11	右曲轴箱	RIGHT CRANKCASE
12	曲轴连杆部件/活塞	CRANKSHAFT CONNECTING-ROD ASSY/PISTON
13	主副轴组合	TRANSMISSION MAIN.COUNTER SHAFT
14	启动轴总成	KICK STARTING SHAFT ASSEMBLY
15	变速机构	GEARSHIFT MECHANISM
16	磁电机总成	MAGNETO COMP
17	电器件	ELECTRIC

※パーツリストの内容と実際の製品の仕様が一部異なる場合があります。予めご了承ください。

## 气缸头部件 CYLINDER HEAD ASSY

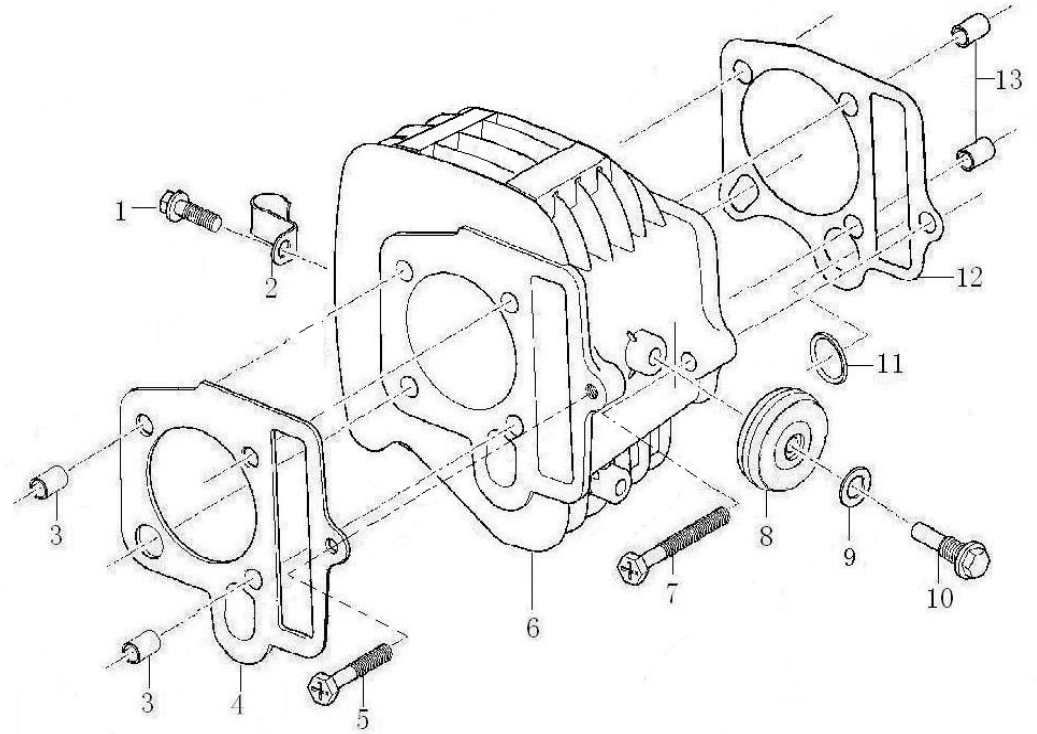
序号 NO.	编码(PART CODE)	中文名称(CHINESE DESCRIPTION)	英文名称(ENGLISH DESCRIPTION)	数量 QTY	备注 REMARK
1	91192-D002-00000X	70缸头左右盖连接螺栓M6×110(兰白锌)	BOLT M6×110	1	
2	B16674A006002570X	GB16674小盘螺栓M6×25(兰白锌)	BOLT M6×25	2	
3	93301-70651012000	平垫圈φ6.5×1×φ12	WASHER 6.5×1×12	1	
4	11228-H021-02000W	C110-B-3#气缸头右盖组合(改型 抛丸钝化)	RIGHT COVER, CYLINDER HEAD	1	
5	90203-D002-0000	70气缸头右盖密封垫	GASKET,R.CYLINDER HEAD COVER	1	
6	91138-I015-00000X	GY6缸头排气口双头螺栓M6×32(兰白锌)	BOLT M6×32	2	
7	81300-G011-0000	C100火花塞部件(C100)	SPARK PLUG	1	
8	1122B-IZ27-02000W	W125气缸头组合[抛丸钝化]	CYLINDER HEAD ASSY	1	
9	90101-20296000320	O型圈φ29.6×3.2(氟硅胶)	O-RING 29.6×3.2	2	
10	11230-D002-00000W	70气门室盖(抛丸钝化)	COVER, VALVE CHAMBER	2	
11	11227-H021-01000A	C110-B-2#气缸头左盖(C110-B-2#)抛光	LEFT COVER, CYLINDER HEAD	1	
12	90202-H021-0000	C110-B气缸头左盖密封垫	GASKET,L.CYLINDER HEAD COVER	1	
13	90201-I096-0000	C120气缸头上盖密封垫	GASKET, CYLINDER HEAD UPPER COVER	1	
14	11226-I096-01000W	C120气缸头上盖(C120)改进型 抛丸钝化	UPPER COVER, CYLINDER HEAD	1	
15	93301-80732514000	平垫圈φ7.3×2.5×φ14	WASHER 7.3×2.5×14	1	
16	93301-2073251400B	平垫圈φ7.3×2.5×φ14(白锌)	WASHER 7.3×2.5×14	3	
17	91201-G011-00000X	C100缸头盖盖形螺母M7(兰白锌)	NUT M7	4	
18	15810-I096-0000	C120进气管密封垫	GASKET,INLET PIPE	1	
19	B057830006002520X	GB5783螺栓M6×25(兰白锌)	BOLT M6×25	2	
20	B057830006003020X	GB5783螺栓M6×30(兰白锌)	BOLT M6×30	2	
21	15800-IA24-0047	S125脚进气管组合(JQ-47)	INLET PIPE	1	
22	90101-10290000240	O型圈φ29×2.4(丁腈胶)	O-RING 29×2.4	1	
23	90214-I096-0000	C120化油器隔热垫	GASKET, CARBURETOR	1	
24	17100-0000-0078	CG150D化油器(PZ27 手动无泵)	CARBURETOR	1	
25	B06170000600060X	GB6170螺母M6(兰白锌)	NUT M6	2	



气缸头部件  
CYLINDER HEAD ASSY

## 气缸体部件 CYLINDER ASSEMBLY

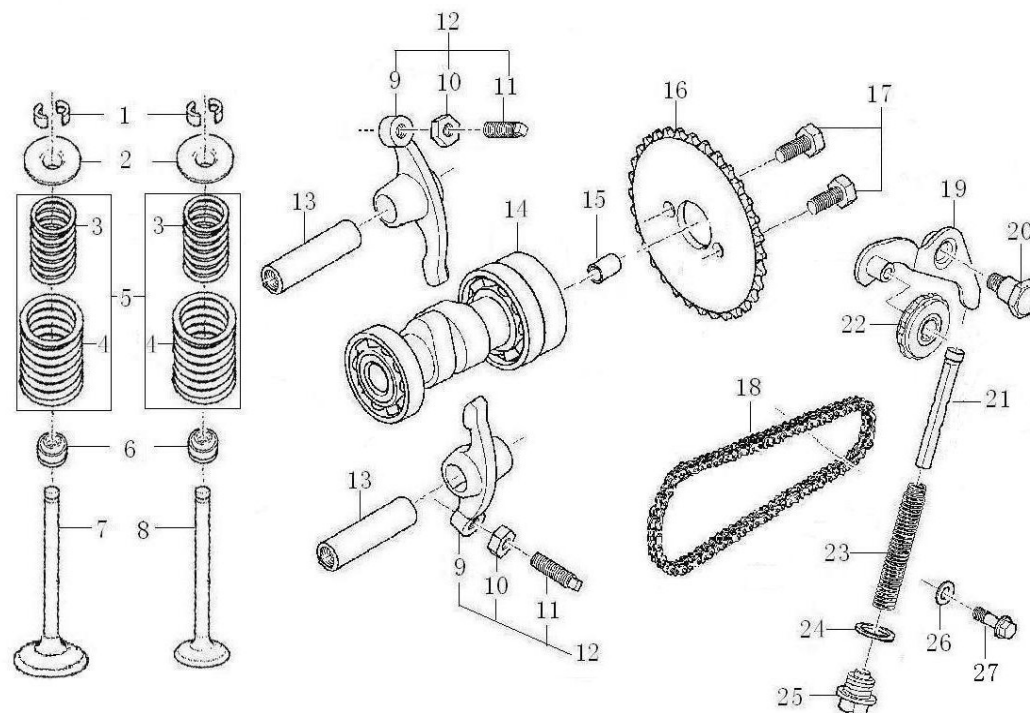
序号 NO.	编码(PART CODE)	中文名称(CHINESE DESCRIPTION)	英文名称(ENGLISH DESCRIPTION)	数量 QTY	备注 REMARK
1	B16674A006001670X	GB16674小盘螺栓M6×16(兰白锌)	BOLT M6×16	1	
2	11003-D002-00000X	70高压线固定夹(兰白锌)	CLIP, HIGH VOLTAGE WIRE	1	
3	91521-08001400070	定位销φ8×14×φ7	PIN 8×14×7	2	
4	9022B-JA16-0000	W140气缸头密封垫组合(金属)	GASKET ASSY,CYLINDER HEAD	1	
5	91113-D002-00000X	70缸体箱体连接螺栓M6×23(兰白锌)	BOLT M6×23	1	
6	1110B-IZ27-000082	W125气缸体部件(缸标124 8802)带减震胶块	CYLINDER BLOCK ASSEMBLY	1	
7	91113-H021-00000X	C110-B缸体箱体连接螺栓M6×30(兰白锌)	BOLT M6×30	1	
8	1533A-HZ30-0100	C110链条导向轮组合(38)	GUIDE CHAIN ROLLER SET	1	
9	93301-70801514000	平垫圈φ8×1.5×φ14	WASHER 8.5×1.5×14	1	
10	15302-H021-00000X	C110-B导向滚轮销轴(M8×27.5 兰白锌)	GUIDE CHAIN ROLLER PIN	1	
11	90102-D002-0002	70矩形密封圈φ11.5×16×2.5	RECTANGLE RING 11.5×16×2.5	1	
12	90205-JA16-0000	W140气缸体密封垫	GASKET,CYLINDER BLOCK	1	
13	91521-08001200070	定位销φ8×12×φ7	PIN 8×12×7	2	



气缸体部件  
CYLINDER ASSEMBLY

## 配气机构 VALVE MECHANISM

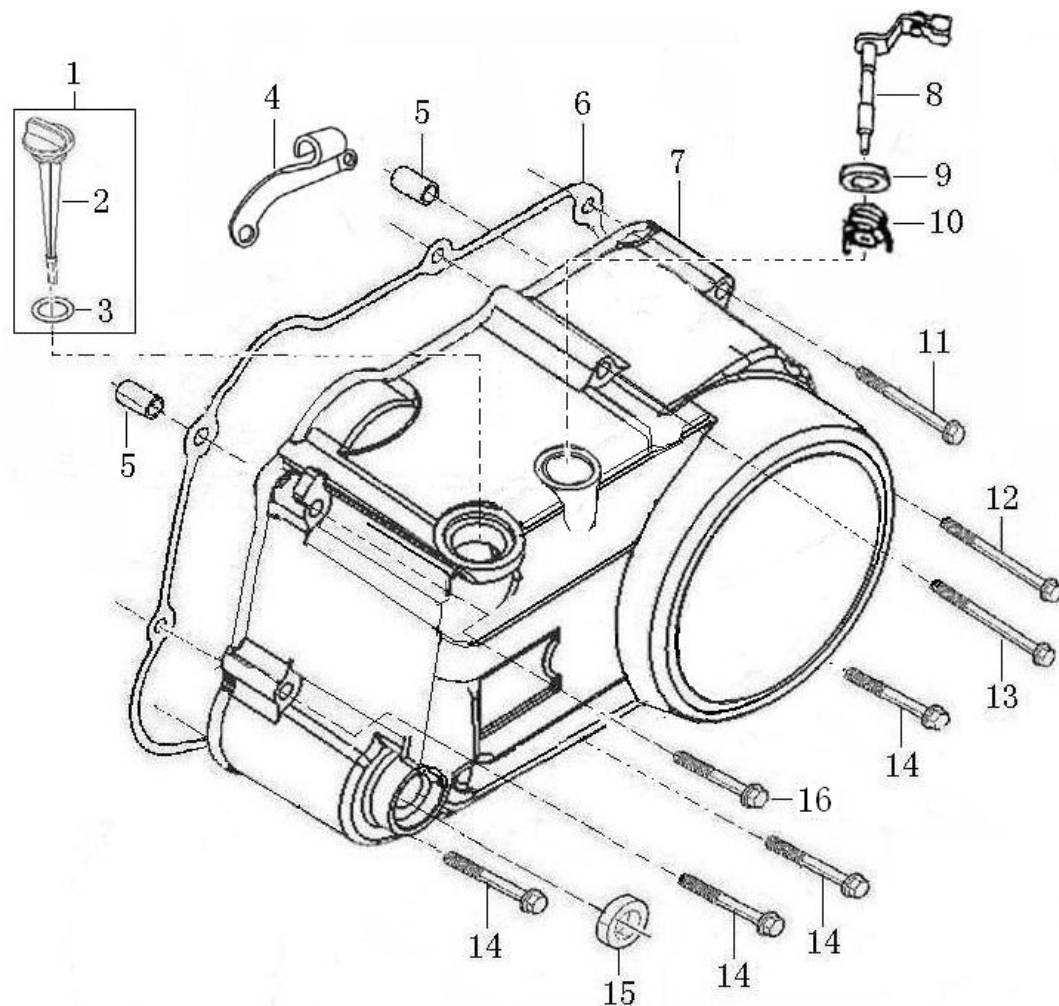
序号 NO.	编码(PART CODE)	中文名称(CHINESE DESCRIPTION)	英文名称(ENGLISH DESCRIPTION)	数量 QTY	备注 REMARK
1	15707-D002-0000	70气门锁夹	VALVE COTTER	4	
2	15705-D002-0000	70气门弹簧座(上)	SPRING SEAT	2	
3	15704-D002-0200	70-3#气门内弹簧	VALVE INNER SPRING	2	
4	15703-D002-0000	70气门外弹簧	VALVE OUTER SPRING	2	
5	15710-IZ27-0000	W125气门内外弹簧组合	INNER SPRING,ASSY	2	
6	1572B-D002-0000	70挡油罩组合	SEAL, VALVE STEM	2	
7	15701-I096-0000	C120进气门	INLET VALVE	1	
8	15702-I096-0000	C120排气门	EXHAUST VALVE	1	
9	15401-D002-0000	70气门摇臂	ROCKER ARM	2	
10	15403-D002-0000	70气门间隙调节螺母	NUT, VALVE CLEARANCE	2	
11	15404-D002-0000	70气门间隙调节螺钉	SCREW, VALVE CLEARANCE	2	
12	1540A-D002-0002	70气门摇臂组合(氮化)	ROCKER ARM ASSEMBLY, VALVE	2	
13	15402-D002-0000	70气门摇臂轴	ROCKER SHAFT	2	
14	15100-HZ12-0001	DT115-A凸轮轴部件(氮化)	GAMP SHAFT COMP	1	
15	91521-08001200063	定位销 $\phi 8 \times 12 \times \phi 6.3$	PIN $8 \times 12 \times 6.3$	1	
16	15301-G031-0100	Z100正时从动链轮(28)两个过孔	TIMING DRIVEN SPROCKET	1	
17	91191-D002-0000	70正时链轮螺栓M5 $\times$ 12	BOLT M5 $\times$ 12	2	
18	1532B-G011-0000	C100正时链条组合(84)	SPROCKET CHAIN	1	
19	1556B-D002-0000	70链条张紧臂组合	CHAIN ADJUSTING SET	1	
20	15505-D002-0000	70链条张紧臂芯轴	AXLE, TENSIONER LEVER	1	
21	1555B-D002-0000	70链条张紧杆组合	CHAIN TYHT SET	1	
22	1554B-D002-0000	70链条张紧轮组合	LIFTER ASSY	1	
23	15503-D002-0000	70链条张紧杆弹簧	SPRING	1	
24	93301-71401520000	平垫圈 $\phi 14 \times 1.5 \times \phi 20$	WASHER $14.5 \times 1.5 \times 20$	1	
25	91105-D002-00000X	70密封螺塞M14 $\times$ 1.5(兰白锌)	SEALING PLUG M14 $\times$ 1.5	1	
26	93301-70621513000	平垫圈 $\phi 6.2 \times 1.5 \times \phi 13$	WASHER $6.2 \times 1.5 \times 13$	1	
27	B16674C006001870X	GB16674大盘螺栓M6 $\times$ 18(兰白锌)	BOLT M6 $\times$ 18	1	



配气机构  
VALVE MECHANISM

## 右曲轴箱盖 RIGHT CRANKCASE COVER

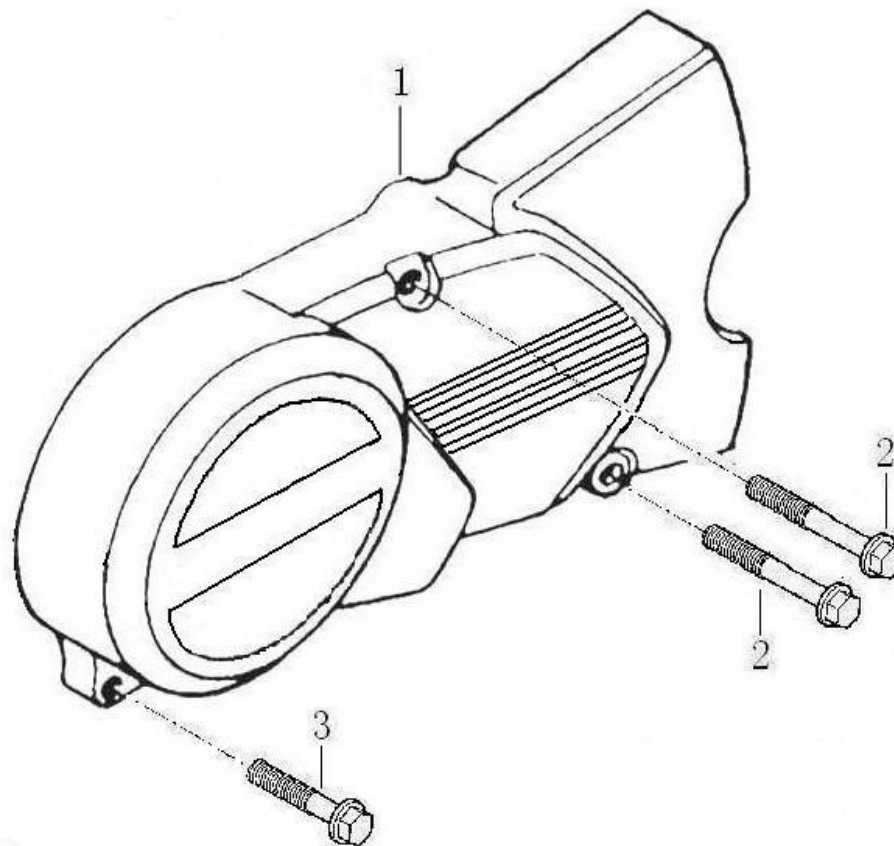
序号 NO.	编码(PART CODE)	中文名称(CHINESE DESCRIPTION)	英文名称(ENGLISH DESCRIPTION)	数量 QTY	备注 REMARK
1	14301-G011-0000	C100机油尺组合(白板 本色)整体式	OIL RULER ASSY	1	
2	14308-G011-0000	C100机油尺本体(白板 不带O型圈 φ 本色)整体式	OIL DIPSTICK	1	
3	90101-10180000300	O型圈 φ 18 × 3(丁腈胶)	O-RING 18 × 3	1	
4	22422-IZ02-00000X	W120离合器钢索支架(兰白锌)	HOLDER,CLUTCH CABLE	1	
5	91521-08001200063	定位销 φ 8 × 12 × φ 6.3	PIN 8 × 12 × 6.3	2	
6	90206-IZ02-0000	W120右曲轴箱盖密封垫	GASKET, R.CRANKCASE COVER	1	
7	12421-JA16-000089	W140右曲轴箱盖[白板(普通款) 8801]	COVER COMP. RIGHT CRANKCASE	1	
8	2242A-MA21-00000X	CM250离合器操纵臂组合(兰白锌)	CONTROLLING ARM ASSEMBLY, CLUTCH	1	
9	90306-I016-0000	CB125T离合器操纵臂油封12 × 18 × 5(丁腈胶)	OIL SEAL 12 × 18 × 5	1	
10	22427-I016-0000	CB125T离合器操纵臂弹簧	CLUTCH CONTROLLING ARM SPRING	1	
11	B16674A006008070X	GB16674小盘螺栓M6 × 80(兰白锌)	BOLT M6 × 80	1	
12	B16674A006005070X	GB16674小盘螺栓M6 × 50(兰白锌)	BOLT M6 × 50	1	
13	B16674A006006570X	GB16674小盘螺栓M6 × 65(兰白锌)	BOLT M6 × 65	1	
14	B16674A006004070X	GB16674小盘螺栓M6 × 40(兰白锌)	BOLT M6 × 40	4	
15	90304-D002-0000	70启动轴油封13.8 × 24 × 5(丁腈胶)	OIL SEAL 13.8 × 24 × 5	1	
16	B16674A006004270X	GB16674小盘螺栓M6 × 42(兰白锌)	BOLT M6 × 42	1	



右曲轴箱盖  
RIGHT CRANKCASE COVER

## 左曲轴箱盖 LEFT CRANKCASE COVER

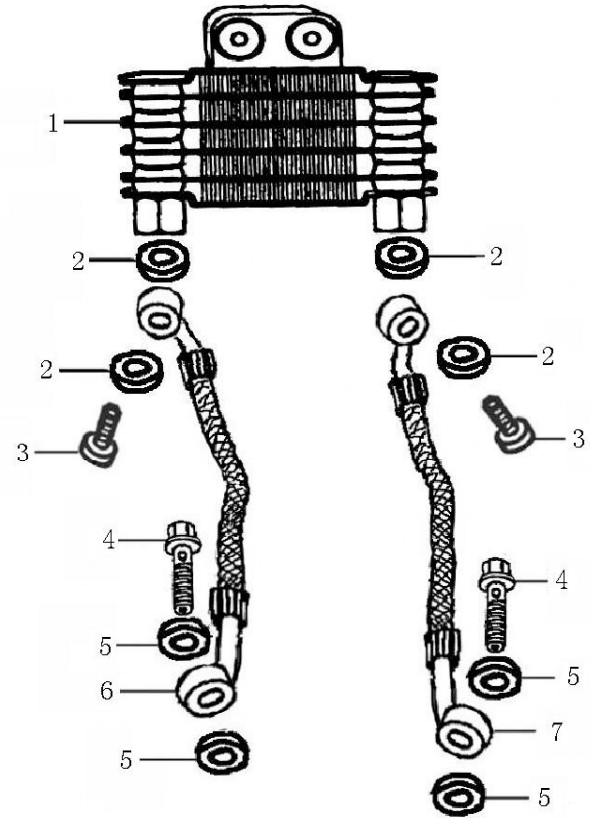
序号 NO.	编码(PART CODE)	中文名称(CHINESE DESCRIPTION)	英文名称(ENGLISH DESCRIPTION)	数量 QTY	备注 REMARK
1	12306-G007-000089	W100左曲轴箱边盖[白板(W100-PT-1#) 8801]	L CRANKCASE COVER FRONT PART	1	
2	B16674A006003570X	GB16674小盘螺栓M6×35(兰白锌)	BOLT M6×35	2	
3	B16674A006002870X	GB16674小盘螺栓M6×28(兰白锌)	BOLT M6×28	1	



左曲轴箱边盖  
L. CRANKCASE COVER FRONT PART

## 机油散热器组合 OIL COOLER COMP

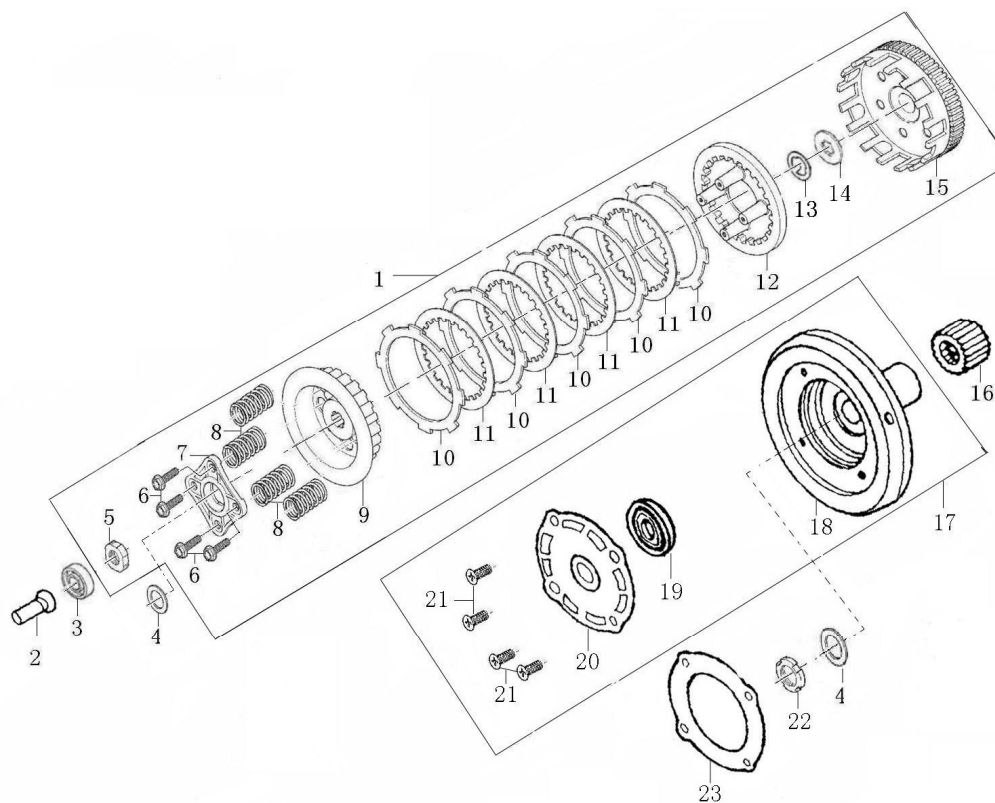
序号 NO.	编码(PART CODE)	中文名称(CHINESE DESCRIPTION)	英文名称(ENGLISH DESCRIPTION)	数量 QTY	备注 REMARK
1	19300-I038-0000	ZS96机油散热器组合	OIL COOLER COMP	1	
2	93301-81251419000	平垫圈 $\phi 12.5 \times 1.4 \times \phi 19$	WASHER 12.5 $\times$ 1.4 $\times$ 19	4	
3	91107-I038-00010X	ZS96散热器油管接头螺栓M12 $\times$ 1.25(兰白锌)	BOLT M12 $\times$ 1.25	2	
4	91107-I038-00020X	ZS96缸头油管接头螺栓M10 $\times$ 1.25(兰白锌)	BOLT M10 $\times$ 1.25	2	
5	93301-81001014000	平垫圈 $\phi 10 \times 1 \times \phi 14$	WASHER 10 $\times$ 1 $\times$ 14	4	
6	19303-JA16-0100	W140平面密封回油管组合(L:300)	OILPIPE ASSY	1	
7	19303-JA16-0200	W140平面密封进油管组合(L:340)	OILPIPE ASSY	1	



机油散热器组合  
OIL COOLER COMP

## 离合器总成 CLUTCH ASSY

序号 NO.	编码(PART CODE)	中文名称(CHINESE DESCRIPTION)	英文名称(ENGLISH DESCRIPTION)	数量 QTY	备注 REMARK
1	22000-IZ27-0000	W125离合器总成(W125)不含推杆 不带轴承	CLUTCH ASSY	1	
2	22403-G007-0000	W100离合器推杆	PUSHING ROD, CLUTCH	1	
3	92102-0000006000	轴承(6000)	BEARING (6000)	1	
4	22004-G011-0000	C100主离合器碟形垫圈	DISH WASHER, CLUTCH	2	
5	91202-G011-0000	C100主离合器锁紧螺母M14×1	LOCK NUT, CLUTCH	1	附件
6	B057890006002270B	GB5789螺栓M6×22(白锌)	BOLT M6×22	4	
7	22121-G011-0000	C100离合器端盖	END COVER,CLUTCH	1	
8	22142-JA16-0000	W140离合器弹簧	SPRING, CLUTCH	4	
9	22105-JA16-0000	W140离合器中心套	CENTER SLEEVE, CLUTCH	1	
10	22214-I006-0000	CB125脚离合器主动摩擦片	DRIVE FRICTION DISK	5	
11	22215-JA16-0000	W140离合器从动摩擦片	OUTER FRICTION DISK A	4	
12	22122-JA16-0000	W140离合器压盘	PRESSURE PLATE, CLUTCH	1	
13	22103-G011-0000	C100主离合器定位环	FIXING RING, CLUTCH	1	附件
14	22002-G011-0000	C100离合器花键垫圈	WASHER	1	附件
15	22150-IZ27-0000	W125离合器外罩组合	OUT CASE ASSEMBLY, CLUTCH	1	
16	23101-IZ27-0000	W125主动齿	PRIMARY DRIVE GEAR	1	
17	14200-JA16-0100	W140-2#机油滤清器部件	OIL FILTER,COMP	1	
18	14203-JA16-0100	W140-2#机油滤清器转子组件	ROTOR ASS. OF OIL FILTER	1	
19	90337-G007-0000	W100机油滤清器油封 6×25×6	OIL SEAL 6×25×6	1	
20	14207-G007-0000	W100机油滤清器盖	OIL FILTER COVER	1	
21	B008190105001220B	GB819.1螺钉M5×12(白锌)	SCREW M5×12	4	
22	91208-G011-0000	C100初级离合器圆螺母	LOCK NUT, PRIMARY CLUTCH	1	
23	90209-G007-0000	W100滤清器端盖密封垫	GASKET, OIL FILTER	1	

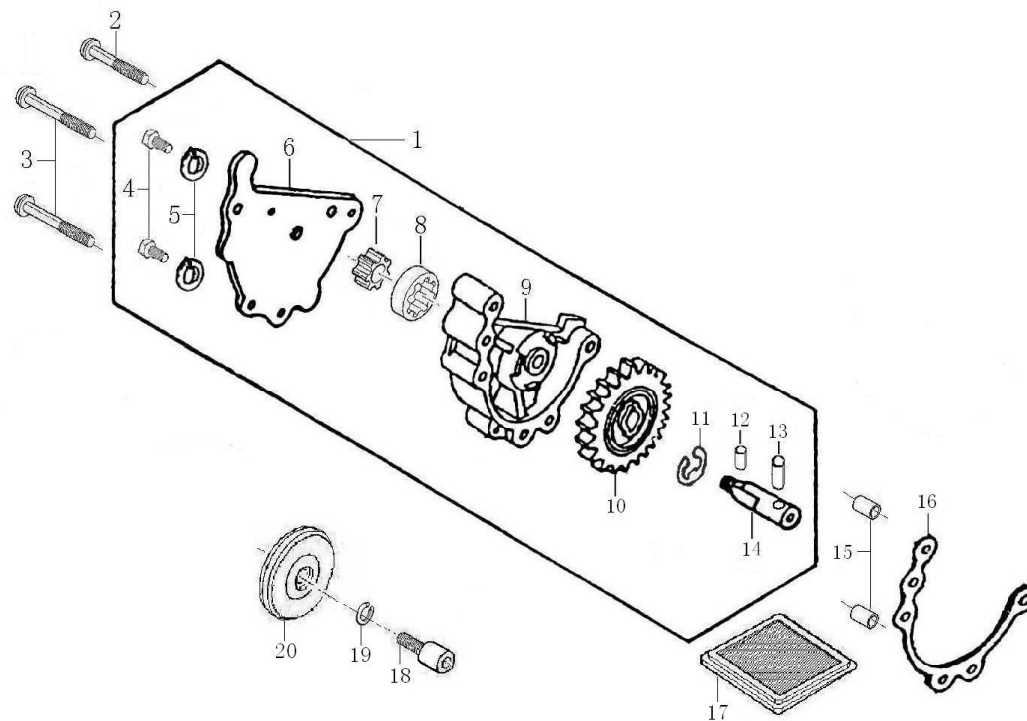


离合器总成  
CLUTCH ASSY



## 机油泵部件 OIL PUMP

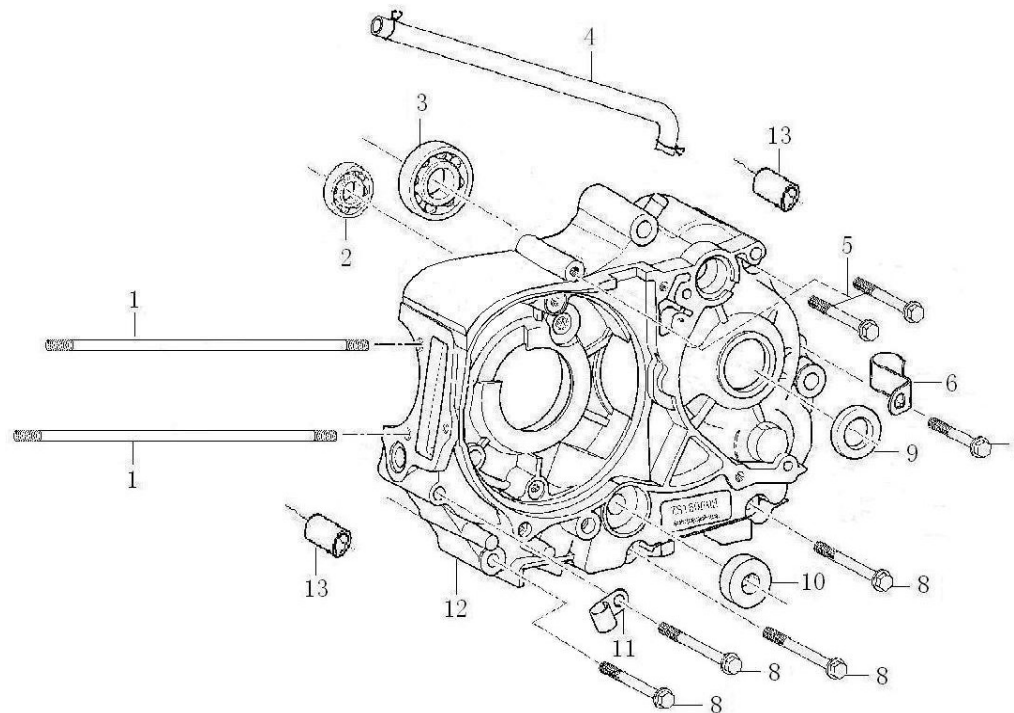
序号 NO.	编码(PART CODE)	中文名称(CHINESE DESCRIPTION)	英文名称(ENGLISH DESCRIPTION)	数量 QTY	备注 REMARK
1	14100-1096-0000	C120机油泵部件	OIL PUMP ASSY	1	
2	B008230006003520X	GB823螺钉M6×35(兰白锌)	SCREW M6×35	1	
3	B008230006004020X	GB823螺钉M6×40(兰白锌)	SCREW M6×40	2	
4	B057830005001220B	GB5783螺栓M5×12(白锌)	BOLT M5×12	2	
5	B000930005000000B	GB93弹垫φ5(白锌)	WASHER φ5	2	
6	14108-1096-0000	C120机油泵盖板	OIL PUMP COVER	1	
7	14111-1096-0000	C120机油泵内转子	INNER ROTOR, OIL PUMP	1	
8	14112-1096-0000	C120机油泵外转子	OUTER ROTOR, OIL PUMP	1	
9	14110-1096-0000	C120机油泵体	OIL PUMP BODY	1	
10	14102-1096-0000	C120机油泵齿轮	GEAR, OIL PUMP	1	
11	B0089600050000000	GB896挡圈5	CIRCLIP 5	1	
12	B0011902025100000	GB119.2圆柱销φ2.5×10	PIN 2.5×10	1	
13	B0011902030160000	GB119.2圆柱销φ3×16	PIN 3×16	1	
14	14107-1096-0000	C120机油泵油泵轴	SHAFT, OIL PUMP	1	
15	91521-08001200063	定位销φ8×12×φ6.3	PIN 8×12×6.3	2	
16	90210-HZ31-0000	C110-A机油泵体密封垫	GASKET, OIL PUMP	1	
17	1431B-D002-0000	70机油过滤网组合	STRAINER, OIL FILTER	1	
18	91188-HZ31-0000	C110-A油泵链轮专用螺钉	SCREW	1	
19	B000930006000000B	GB93弹垫φ6(白锌)	WASHER φ6	1	
20	1432B-HZ31-0000	C110-A机油泵传动链轮组合	HUB DUMP CHAIN SPROCKET, OIL PUMP	1	



机油泵部件  
OIL PUMP

## 左曲轴箱 LEFT CRANKCASE

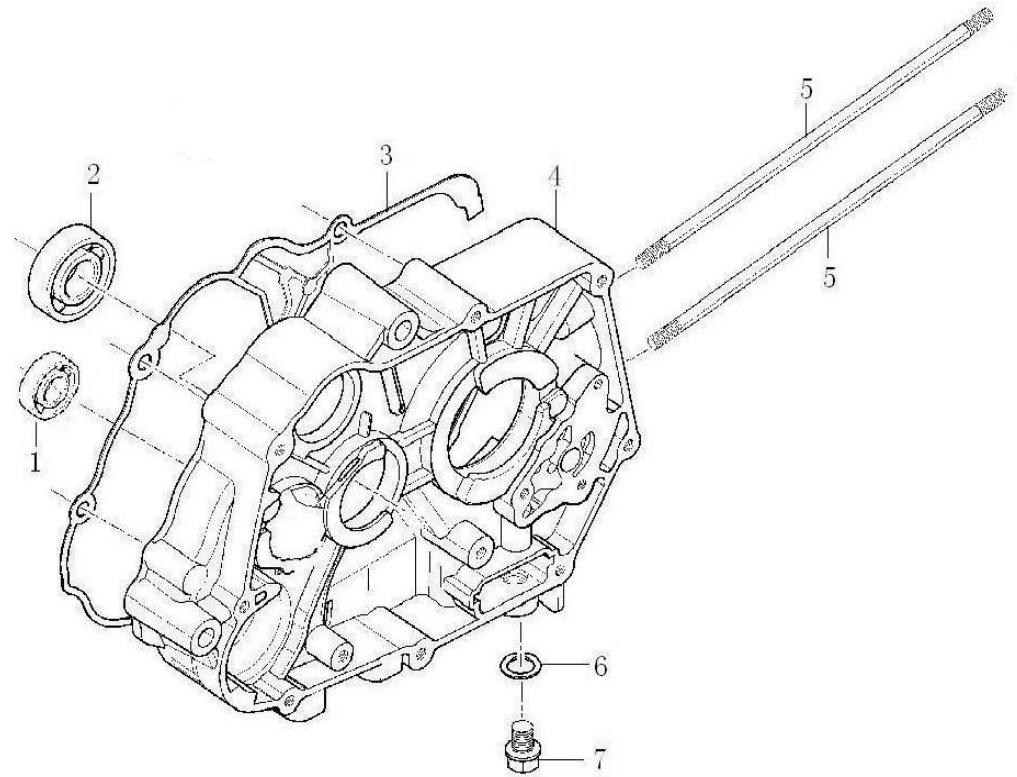
序号 NO.	编码(PART CODE)	中文名称(CHINESE DESCRIPTION)	英文名称(ENGLISH DESCRIPTION)	数量 QTY	备注 REMARK
1	91101-IA24-0000	S125脚气缸双头螺栓A(203mm)	CYLINDER STUD BOLT A	2	
2	92102-00000006001	轴承(6001)	BEARING (6001)	1	
3	92102-00000006203	轴承(6203)	BEARING (6203)	1	
4	12130-G011-0102	C100-2#通气管组件(带2个 $\phi$ 10.5卡簧 复合层材料)	PIPE ASSY	1	
5	B16674A006006070X	GB16674小盘螺栓M6 $\times$ 60(兰白锌)	BOLT M6 $\times$ 60	2	
6	11003-D002-00000X	70高压线固定夹(兰白锌)	CLIP, HIGH VOLTAGE WIRE	1	
7	B16674A006004570X	GB16674小盘螺栓M6 $\times$ 45(兰白锌)	BOLT M6 $\times$ 45	1	
8	B16674A006006570X	GB16674小盘螺栓M6 $\times$ 65(兰白锌)	BOLT M6 $\times$ 65	4	
9	90303-D002-0000	70副轴油封17 $\times$ 29 $\times$ 5(丁腈胶)	OIL SEAL 17 $\times$ 29 $\times$ 5	1	
10	90301-D002-0000	70换档臂油封11.6 $\times$ 24 $\times$ 10(丁腈胶)	OIL-SEAL 11.6 $\times$ 24 $\times$ 10	1	
11	12108-D002-00000X	70溢流管夹(兰白锌)	CLIP, OVERFLOW PIPE	1	
12	1212B-IZ02-000089	W120左曲轴箱组合(有缺 8801)	LEFT CRANKCASE BLOCK	1	
13	91521-10001400000	定位销 $\phi$ 10 $\times$ 14	PIN 10 $\times$ 14	2	



左曲轴箱  
LEFT CRANKCASE

## 右曲轴箱 RIGHT CRANKCASE

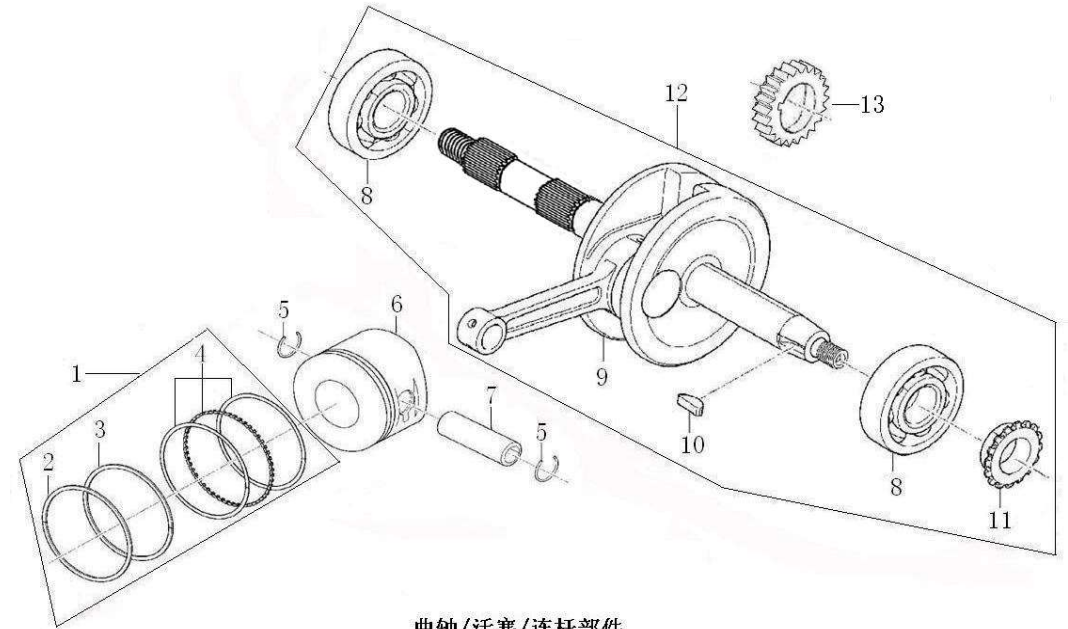
序号 NO.	编码(PART CODE)	中文名称(CHINESE DESCRIPTION)	英文名称(ENGLISH DESCRIPTION)	数量 QTY	备注 REMARK
1	92102-0000006202	轴承(6202)	BEARING (6202)	1	
2	92102-0000006203	轴承(6203)	BEARING (6203)	1	
3	90208-IZ02-0000	W120曲轴箱密封垫	GASKET,CRANKCASE	1	
4	1222B-JA16-000089	W140右曲轴箱组合(8801)	RIGHT CRANKCASE BLOCK	1	
5	91102-IA24-0000	S125脚气缸双头螺栓B(194.5mm)	CYLINDER STUD BOLT B	2	
6	93301-71242020000	平垫圈 $\phi 12.4 \times 2 \times \phi 20$	WASHER 12.4 $\times$ 2 $\times$ 20	1	
7	91103-I008-00000X	CG125D放油螺塞(兰白锌)	OIL DRAIN PLUG	1	



右曲轴箱  
RIGHT CRANKCASE

### 曲轴连杆部件/活塞 CRANKSHAFT CONNECTING-ROD ASSY/PISTON

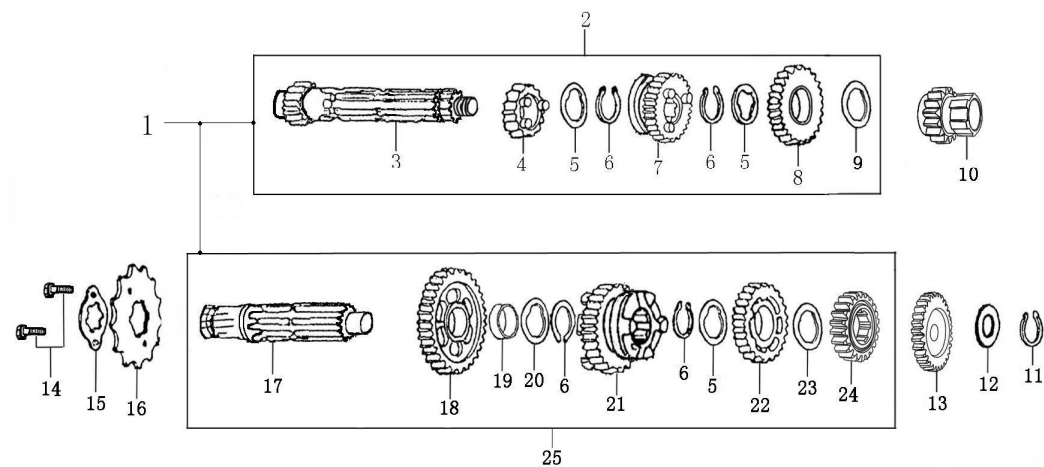
序号 NO.	编码(PART CODE)	中文名称(CHINESE DESCRIPTION)	英文名称(ENGLISH DESCRIPTION)	数量 QTY	备注 REMARK
1	1310A-IZ27-0000	W125活塞环总成	PISTON RING COMP	1	
2	13103-IZ27-0000	W125活塞环一(镀铬)	PISTON RING 1	1	
3	13104-IZ27-0000	W125活塞环二	PISTON RING 2	1	
4	13120-IZ27-0000	W125油环组合	OIL RING ASSY	1	
5	91401-D002-0000	70活塞销挡圈	CHECK RING, PISTON PIN	2	
6	13101-IZ27-0000	W125活塞	PISTON	1	
7	13102-IZ27-0000	W125活塞销	PIN PISTON	1	
8	92102-0000006304	轴承(6304)	BEARING (6304)	2	
9	13220-IZ27-0000	W125曲轴连杆组合(无轴承、半圆键、主动齿)立多禄	CONNECTING ROD COMP 3	1	
10	91601-D002-0000	70半圆键4×12.5	SEMICIRCULAR KEY	1	
11	13222-D002-0000	70正时主动链轮(14齿)	HUB DUMP CHAIN SPROCKET	1	
12	1320B-IZ27-0001	W125曲轴连杆部件(立多禄)	CRANKSHAFT CONNECTING-ROD ASSY	1	
13	14101-IZ02-0000	W120机油泵驱动齿轮	DRIVE GEAR,OIL PUMP	1	



曲轴/活塞/连杆部件  
CRANKSHAFT/PISTON/CONNECTING ROD COMP

## 主副轴组合 TRANSMISSION MAIN,COUNTER SHAFT

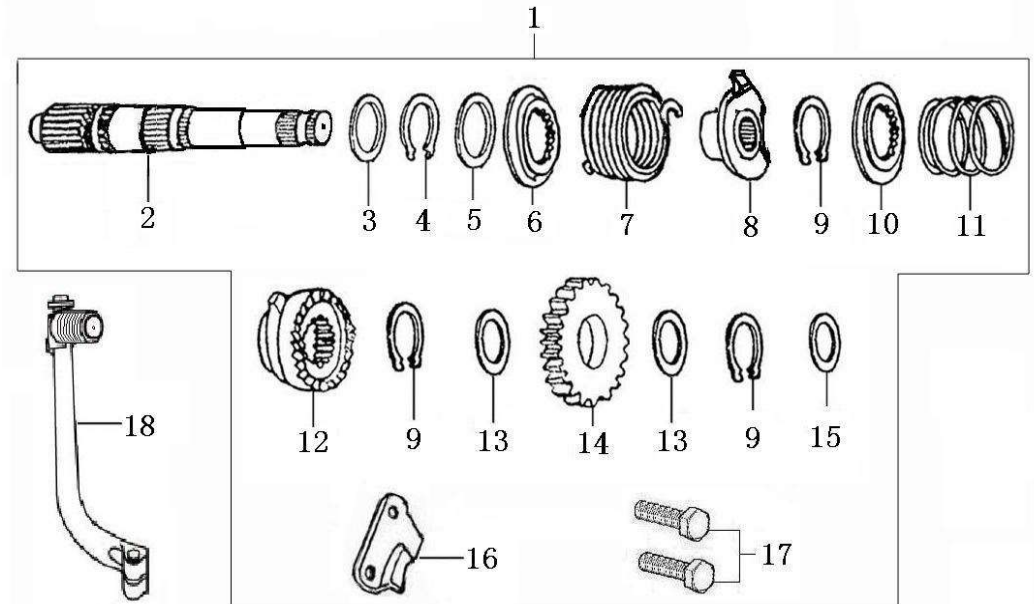
序号 NO.	编码(PART CODE)	中文名称(CHINESE DESCRIPTION)	英文名称(ENGLISH DESCRIPTION)	数量 QTY	备注 REMARK
1	23200-JA16-0000	W140-1#主副轴组合(W140-1#)	TRANSMISSION MAIN, COUNTER SHAFT	1	
2	23220-JA16-0000	W140主轴组合	MAIN SHAFT, TRANSMISSION	1	
3	23221-JA16-0000	W140主轴芯轴	TRANSMISSION MAIN SHAFT	1	
4	23222-JA16-0002	W140主轴2档齿轮	GEAR M-2	1	
5	23223-D002-0000	70主副轴齿轮隔圈15.5(17.2)×1.2×21	WASHER	3	
6	23226-D002-0000	70主轴齿轮卡圈	CIRCLIP	4	
7	23222-JA16-0003	W140主轴3档齿轮	GEAR M-3	1	
8	23222-JA16-0004	W140主轴4档齿轮	GEAR M-4	1	
9	93301-61710526000	平垫圈φ17.1×0.5×φ26	WASHER 17.2×1.0×24	1	
10	23233-JA16-0000	W140主轴启动齿轮	STARTING GEAR	1	
11	B0089401150000000	GB894.1挡圈15	CIRCLIP 15	1	
12	93301-5152052300C	平垫圈φ15.2×0.5×φ23(彩锌)	WASHER 15.2×0.5×23	1	
13	23248-JA16-0000	W140副轴启动过桥齿轮	GEAR	1	
14	B057830006001020X	GB5783螺栓M6×10(兰白锌)	BOLT M6×10	2	
15	23402-D002-0000	70主动链轮固定板	FIXING PLATE,DRIVE SPROCKET	1	
16	23401-G011-0008	C100主动链轮(428.15)	DRIVE SPROCKET	1	
17	23241-JA16-0000	W140副轴芯轴	TRANSMISSION COUNTER SHAFT	1	
18	23242-D002-0001	70副轴1档齿轮	GEAR C-1	1	
19	23247-D002-0000	70副轴齿轮轴套	COLLAR	1	
20	23223-D002-0002	70副轴齿轮隔圈15.5(17.2)×1.2×23	WASHER	1	
21	23242-D002-0002	70副轴2档齿轮	GEAR C-2	1	
22	23242-JA16-0003	W140副轴3档齿轮	GEAR C-3	1	
23	93301-51721026000	平垫圈φ17.2×1×φ26	WASHER 17.2×1.0×26	1	
24	23242-JA16-0004	W140副轴4档齿轮	GEAR C-4	1	
25	23240-JA16-0000	W140副轴组合	COUNTERSHAFT TRANSMISSION	1	



主副轴组合  
TRANSMISSION MAIN,COUNTER SHAFT

## 启动轴总成 KICK STARTING SHAFT ASSEMBLY

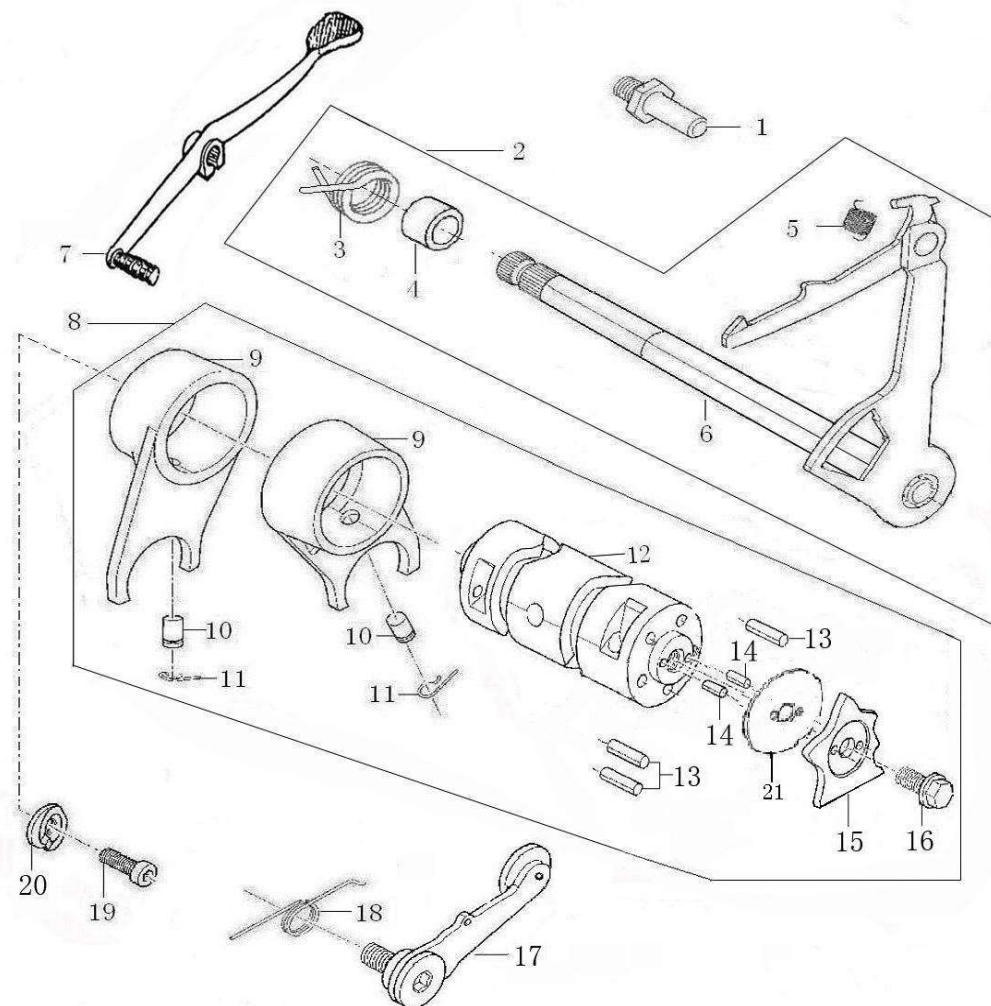
序号 NO.	编码(PART CODE)	中文名称(CHINESE DESCRIPTION)	英文名称(ENGLISH DESCRIPTION)	数量 QTY	备注 REMARK
1	21100-JA16-0000	W140启动轴总成	KICK STARTING SHAFT ASSEMBLY	1	
2	21107-IZ02-0000	W120启动轴芯轴	PIVOT, KICK STARTING SHAFT	1	
3	93301-61410522000	平垫圈 $\phi 14.1 \times 0.5 \times \phi 22$	WASHER 14.1 $\times$ 0.5 $\times$ 22	1	
4	91402-D002-0000	70启动轴挡圈 $\phi 15.5 \times 1.2 \times \phi 19$	CIRCLI $\phi 15.5 \times 1.2 \times \phi 19$	1	
5	93301-61721024000	平垫圈 $\phi 17.2 \times 1 \times \phi 24$	WASHER 17.2 $\times$ 1.0 $\times$ 24	1	
6	21104-IZ02-0000	W120启动轴弹簧座	SEAT, SPRING, KICK STARTING SHAFT	1	
7	21106-IZ02-0000	W120启动轴复位弹簧	RETURN SPRING, KICK STARTING SHAFT	1	
8	21104-D002-0000	70启动轴弹簧座	SEAT, SPRING, KICK STARTING SHAFT	1	
9	91402-D002-0100	70启动轴挡圈 $\phi 18.5 \times 1.2 \times \phi 22.1$	CIRCLI $\phi 18.5 \times 1.2 \times \phi 22.1$	3	
10	21122-D002-0000	70弹簧承座	SPRING SUPPORT	1	
11	21119-D002-0000	70启动棘轮弹簧	SPRING, KICK STARTING RATCHET WHEEL	1	
12	21118-IZ02-0000	W120启动棘轮	STARTING RATCHET	1	
13	93301-62011027000	平垫圈 $\phi 20.1 \times 1 \times \phi 27$	WASHER 20.1 $\times$ 1 $\times$ 27	2	附件
14	21117-JA16-0000	W140启动齿轮	GEAR, KICK STARTER	1	附件
15	93301-61411022000	平垫圈 $\phi 14.1 \times 1 \times \phi 22$	WASHER 14.1 $\times$ 1 $\times$ 22	1	附件
16	21123-IZ02-0000	W120棘轮导板	GUIDE PLATE	1	附件
17	B057830006001820B	GB5783螺栓M6 $\times$ 18(白锌)	BOLT M6 $\times$ 18	2	附件
18	21200-F004-0002	90启动杆部件(QD-2)白铬	START-UP BAR COMP	1	



启动轴总成  
KICK STARTING SHAFT ASSEMBLY

## 变速机构 GEARSHIFT MECHANISM

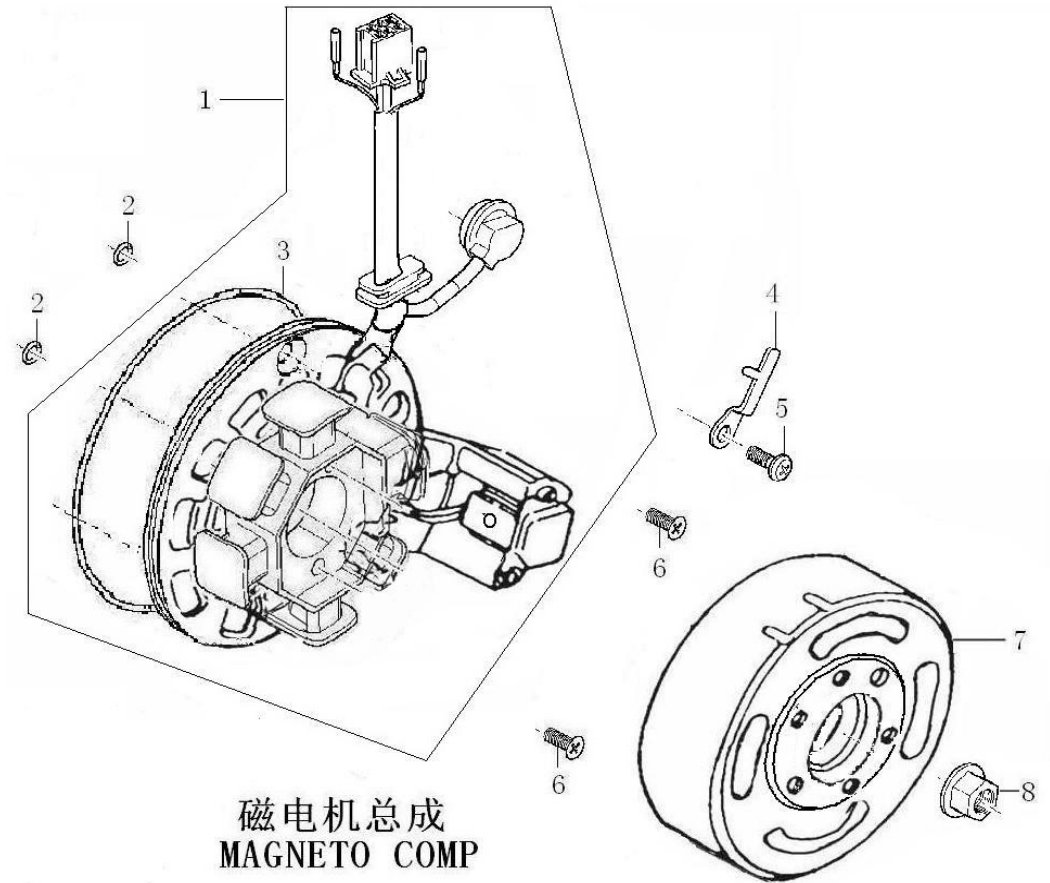
序号 NO.	编码(PART CODE)	中文名称(CHINESE DESCRIPTION)	英文名称(ENGLISH DESCRIPTION)	数量 QTY	备注 REMARK
1	91117-D002-0000	70换挡臂定位螺栓8×11	BOLT, RETURN SPRINGN FIXING 8×11	1	
2	24300-D002-0102	70换挡臂部件(70 四国 188mm)	GEARSHIFT LEVER COMP	1	
3	24302-D002-0000	70换挡回位弹簧	RETURN SPRING	1	
4	24320-D002-0000	70换挡臂臂体轴套	SLEEVE OF GEARSHIFT LEVER COMP	1	
5	24318-D002-0000	70换挡臂拉簧	GEARSHIFT LEVER TENSIO M SPRING	1	
6	24301-D002-0101	70换挡轴组合(188mm 四档国际档)	GEARSHIFT SHAFT COMP	1	
7	24400-F004-0004	90变速踏板部件(BT-4)白铬	GEARSHIFT SHAFT	1	
8	24200-JA16-0100	W140变速鼓部件(四档国际档)	GEARSHIFT DRUM COMP	1	
9	24101-D002-0000	70变速拨叉	GEARSHIFT FORK	2	
10	24102-D002-0000	70导向销	GUIDE PIN	2	
11	24103-D002-0000	70弹簧夹	CLIP, SPRING	2	
12	24213-D002-0400	70变速鼓(四档国际)	GEARSHIFT DRUM	1	
13	91522-04001300000	圆柱销φ4×13	PIN 4×13	3	
14	91522-03000900000	圆柱销φ3×9	PIN 3×9	2	
15	24202-JA16-0000	W140五星板(四档国际档)	STOPPING PLATE	1	
16	B16674A006001670B	GB16674小盘螺栓M6×16(白锌)	BOLT M6×16	1	
17	2434A-IZ02-0000	W120定位板组合	LOCATING PLATE ASSY	1	
18	24304-G011-0010	C100-2#定位板弹簧(国际档)	SPRING ,LOCATING PLATE	1	
19	91149-G011-01000C	C100-2#档显螺钉(彩锌)	SCREW	1	
20	88004-G011-0000	C100档显动触头	CONTACT, GEARINDICATION	1	
21	24216-G007-0000	W100变速鼓压板	PRESS PLATE OF GEARSHIFT DRUM	1	



变速机构  
GEARSHIFT MECHANISM

## 磁电机总成 MAGNETO COMP

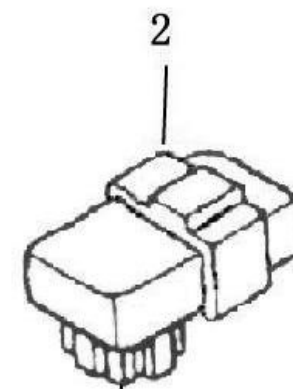
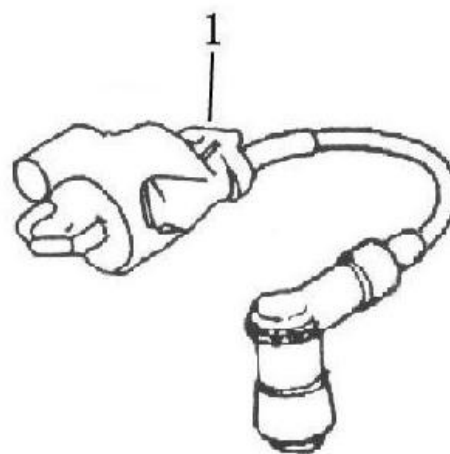
序号 NO.	编码(PART CODE)	中文名称(CHINESE DESCRIPTION)	英文名称(ENGLISH DESCRIPTION)	数量 QTY	备注 REMARK
1	82120-IZ27-000045	W125磁电机定子组合[(专用)L:450 一根空档显]接口U2	STATOR ASSY,MAGNETO	1	
2	90101-50065000180	O型圈 $\phi 6.5 \times 1.8$ (丙烯酸酯)	O-RING 6.5 $\times$ 1.8	2	
3	90101-51068000200	O型圈 $\phi 106.8 \times 2$ (丙烯酸酯)	O-RING 106.8 $\times$ 2	1	
4	88002-G011-0001	C100档位开关固定板(长压板)	GEARSHIFT SWITCH PRESSING PLATE	1	
5	B008230006001220X	GB823螺钉 M6 $\times$ 12(兰白锌)	SCREW M6 $\times$ 12	1	
6	B008190106001620X	GB819.1螺钉 M6 $\times$ 16(兰白锌)	SCREW M6 $\times$ 16	2	
7	82130-IZ27-0000	W125磁电机转子组合	ROTOR ASSY,MAGNETO	1	
8	91213-D002-00010X	70磁电机螺母(改进型 兰白锌)	NUT	1	





## 电零件 ELECTRIC

序号 NO.	编码(PART CODE)	中文名称(CHINESE DESCRIPTION)	英文名称(ENGLISH DESCRIPTION)	数量 QTY	备注 REMARK
1	81100-I008-000050	高压包(MG03B)L:500	IGNITION COIL	1	
2	81200-IZ27-0000	W125点火器(CDI-ZSZ27-000)	C.D.I	1	



## 电零件 ELECTRIC